

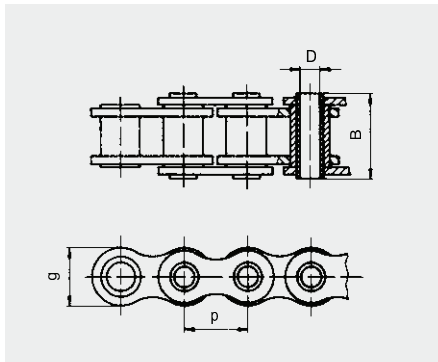


iwis® Hollow Pin Chain

Simple fixing of attachments and transverse struts

iwis reference	Pitch p (mm)	g (mm)	B (mm)	D (mm)	Breaking strength iwis (N)	Weight (kg/m)
M 128 HB	19.05	18.0	25.5	6	36,500 ¹⁾	1.23

¹⁾ Breaking strength without pins inserted 34,500 N



Special bush chain in accordance with roller chain 3/4 x 1/2 inch to ISO 606. Hollow pins can be arranged at any desired interval.