

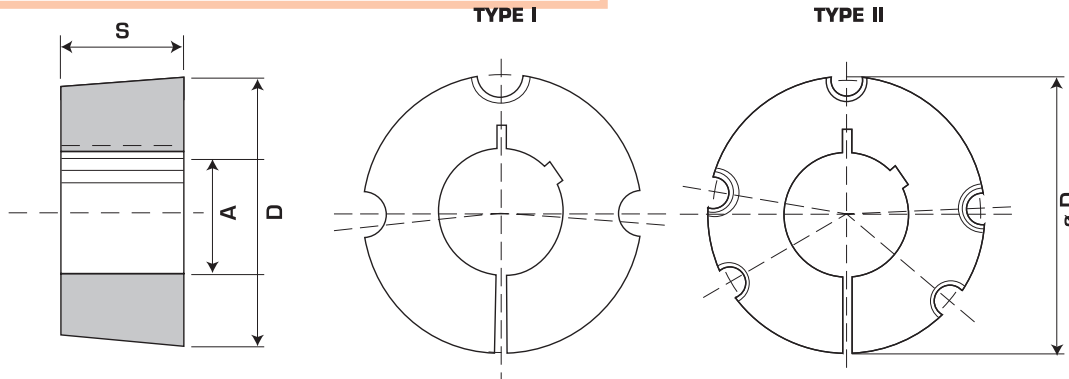
**Pignons et roues
à moyeu TAPERBUSH
pour chaines de transmission DIN 8187**

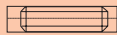
**Kettingwielen met
TAPERBUSH klembussen
voor rollenkettingen DIN 8187**

**Chain sprockets with
TAPERBUSH
bushings for roller chain DIN 8187**

**Kettenräder mit
TAPERBUSH
Klemmbuchsen für Rollenketten DIN 8187**

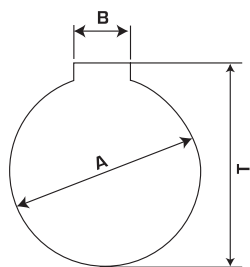
Moyeux amovibles TAPERBUSH
TAPERBUSH klembussen
TAPERBUSH bushings
TAPERBUSH Spannbuchsen



Ref	D	S	Type		Nm	A mm
1008	35.0	22	I	1/4" x 1/2"	5.6	10 - 12 - 14 - 16 - 18 - 19 - 20 - 22 - 24* - 25*
1108	38.0	22	I	1/4" x 1/2"	5.6	12 - 14 - 16 - 19 - 20 - 24 - 25 - 28*
1210	47.5	25	I	3/8" x 5/8"	20.0	12 - 14 - 16 - 18 - 19 - 20 - 24 - 25 - 28 - 32 - 30 - 32*
1215	47.5	38	I	3/8" x 5/8"	20.0	12 - 14 - 16 - 18 - 19 - 20 - 24 - 25 - 28 - 30
1310	51.0	25	I	3/8" x 5/8"	20.0	14 - 16 - 18 - 20 - 24 - 26 - 28 - 30 - 32 - 35*
1610	57.0	25	I	3/8" x 5/8"	20.0	14 - 16 - 18 - 19 - 20 - 24 - 25 - 28 - 30 - 35 - 38 - 40 - 42*
1615	57.0	38	I	3/8" x 5/8"	20.0	14 - 19 - 20 - 22 - 24 - 25 - 28 - 30 - 32 - 35 - 38 - 40 - 42*
2012	70.0	32	I	7/16" x 7/8"	30.0	19 - 20 - 24 - 25 - 28 - 30 - 32 - 35 - 38 - 40 - 42 - 45 - 48 - 50*
2517	85.5	45	I	1/2" x 1"	50.0	18 - 19 - 20 - 24 - 25 - 28 - 30 - 32 - 35 - 38 - 40 - 42 - 45 - 48 - 50 - 55 - 60 - 65*
3020	108.0	51	I	5/8" x 1 1/4"	90.0	25 - 28 - 30 - 32 - 35 - 38 - 40 - 42 - 45 - 48 - 50 - 55 - 60 - 65 - 70 - 75
3030	108.0	76	I	5/8" x 1 1/4"	90.0	35 - 38 - 42 - 45 - 48 - 50 - 55 - 60 - 65 - 70 - 75
3525	127.0	65	II	1/2" x 1 1/2"	115.0	38 - 40 - 42 - 45 - 48 - 50 - 55 - 60 - 65 - 70 - 75 - 80 - 85 - 90 - 95 - 100*
3535	127.0	89	II	1/2" x 1 1/2"	115.0	35 - 38 - 40 - 42 - 45 - 48 - 50 - 55 - 60 - 65 - 70 - 75 - 80 - 85 - 90*
4040	146.0	102	II	5/8" x 1 3/4"	170.0	50 - 55 - 60 - 65 - 70 - 75 - 80 - 85 - 90 - 95 - 100*
4545	162.0	115	II	3/4" x 2"	195.0	50 - 60 - 65 - 70 - 75 - 80 - 85 - 90 - 95 - 100 - 105 - 110
5040	177.5	102	II	7/8" x 2 1/4"	270.0	70 - 75 - 80 - 85 - 90 - 95 - 100 - 110 - 105 - 115 - 120 - 125
5050	177.5	127	II	7/8" x 2 1/4"	270.0	70 - 75 - 80 - 85 - 90 - 95 - 100 - 110 - 105 - 115 - 120 - 125

* rainure basse / verlaagde spienbaan / reduced keyway / Reduzierte Passfedernut

Rainures de clavette / Spiebanen / Keyways / Passfedernut
DIN 6885 - ISO R773



A mm	B mm	T mm
9 - 10	3	A + 1.4
11 - 12	4	A + 1.8
14 - 15 - 16	5	A + 2.3
18 - 19 - 20 - 22	6	A + 2.8
24 - 25 - 28 - 30	8	A + 3.3
32 - 35 - 38	10	A + 3.3
40 - 42	12	A + 3.3
45 - 48 - 50	14	A + 3.8
55	16	A + 4.3
60 - 65	18	A + 4.4
70 - 75	20	A + 4.9
80 - 85	22	A + 5.4
90 - 95	25	A + 5.4
100 - 105 - 110	28	A + 6.4
115 - 120 - 125	32	A + 7.4

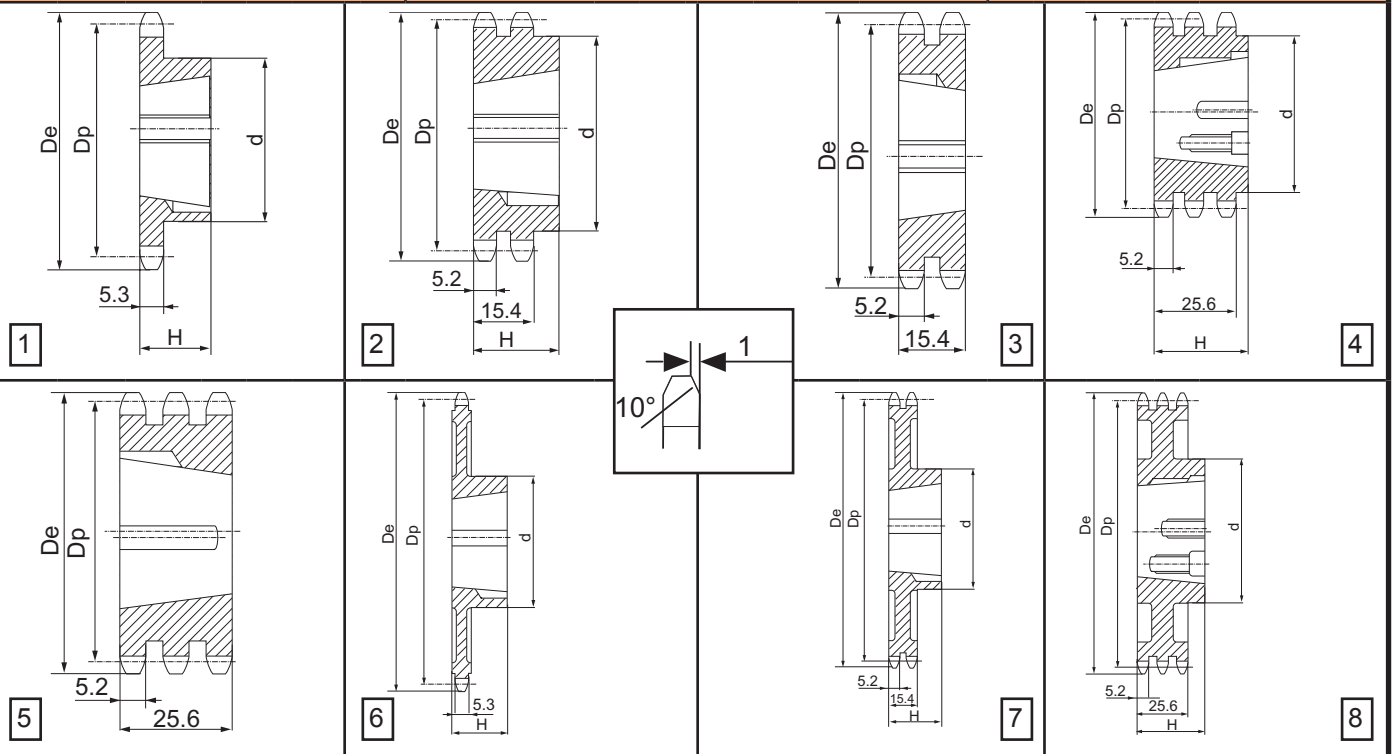
(*) Rainures de clavette basses
Verlaagde spiebanen
Reduced keyway
Reduzierte Passfedernut

A mm	B mm	T mm
24	8	A + 1.3
25	8	A + 1.3
28	8	A + 1.3
40	12	A + 1.3
42	12	A + 1.3



3/8" x 7/32" (ØR 6.35mm) 06B-1-2-3

Pignons et roues à moyeu Taperbush	pour chaînes de transmission	DIN 8187 ISO/R606
Kettingwielen met Taperbush klembussen	voor rollenkettingen	
Chain sprockets with Taperbush bushings	for roller chains	
Kettenräder mit Taperbush Klemmbuchen	für Rollenketten	



Mat. C43		SIMPLEX								DUPLEX								TRIPLEX							
Z	De	Dp	d	H		Type	kg	art. n°	d	H		Type	kg	art. n°	d	H		Type	kg	art. n°					
17	55.3	51.83	45	22	1008	1	0.11	113TB106017	42	22	1008	2	0.05	113TB206017	--	25.6	1008	5	0.15	113TB306017					
18	58.3	54.85	45	22	1008	1	0.14	113TB106018	43	22	1008	2	0.13	113TB206018	--	25.6	1008	5	0.24	113TB306019					
19	61.3	57.87	45	22	1008	1	0.15	113TB106019	46	22	1008	2	0.18	113TB206019	--	25.6	1008	5	0.34	113TB306021					
20	64.3	60.89	46	22	1008	1	0.16	113TB106020	48	22	1008	2	0.21	113TB206020	--	25.6	1008	5	0.34	113TB306021					
21	68.0	63.91	46	22	1008	1	0.18	113TB106021	49	22	1008	2	0.16	113TB206021	--	25.6	1008	5	0.34	113TB306021					
22	71.0	66.93	50	22	1108	1	0.25	113TB106022	52	22	1108	2	0.22	113TB206022	--	25.6	1210	5	0.30	113TB306023					
23	73.5	69.95	63	25	1210	1	0.27	113TB106023	59	25	1210	2	0.27	113TB206023	--	25.6	1210	5	0.30	113TB306023					
24	77.0	72.97	63	25	1210	1	0.30	113TB106024	61	25	1210	2	0.28	113TB206024	--	25.6	1210	5	0.41	113TB306025					
25	80.0	76.02	63	25	1210	1	0.32	113TB106025	64	25	1210	2	0.37	113TB206025	--	25.6	1210	5	0.41	113TB306025					
26	83.0	79.02	63	25	1210	1	0.33	113TB106026	65	25	1210	2	0.44	113TB206026	--	25.6	1210	5	0.55	113TB306027					
27	86.0	82.02	63	25	1210	1	0.34	113TB106027	70	25	1210	2	0.50	113TB206027	--	25.6	1210	5	0.55	113TB306027					
28	89.0	85.07	63	25	1210	1	0.37	113TB106028	70	25	1210	2	0.55	113TB206028	--	25.6	1210	5	0.55	113TB306027					
30	94.7	91.12	63	25	1210	1	0.39	113TB106030	75	25	1210	2	0.68	113TB206030	79	38	1615	4	0.88	113TB306030					
38	119.5	115.35	70	25	1210	1	0.65	113TB106038	80	25	1610	2	1.03	113TB206038	90	38	1615	4	1.75	113TB306038					
*45	140.7	136.55	70	25	1210	1/6	1.01	113TB106045	80	25	1610	2/7	1.14	113TB206045											
*57	176.9	172.91	70	25	1210	1/6	1.34	113TB106057	80	25	1610	2/7	1.28	113TB206057											
*76	234.9	230.49	70	25	1210	1/6	1.84	113TB106076	80	25	1610	2/7	1.36	113TB206076											
*95	292.5	288.08	80	25	1210	1/6	2.02	113TB106095	90	25	1610	2/7	1.44	113TB206095											
*114	349.5	345.68	80	38	1215	1/6	2.35	113TB106114	95	38	1610	2/7	1.56	113TB206114											

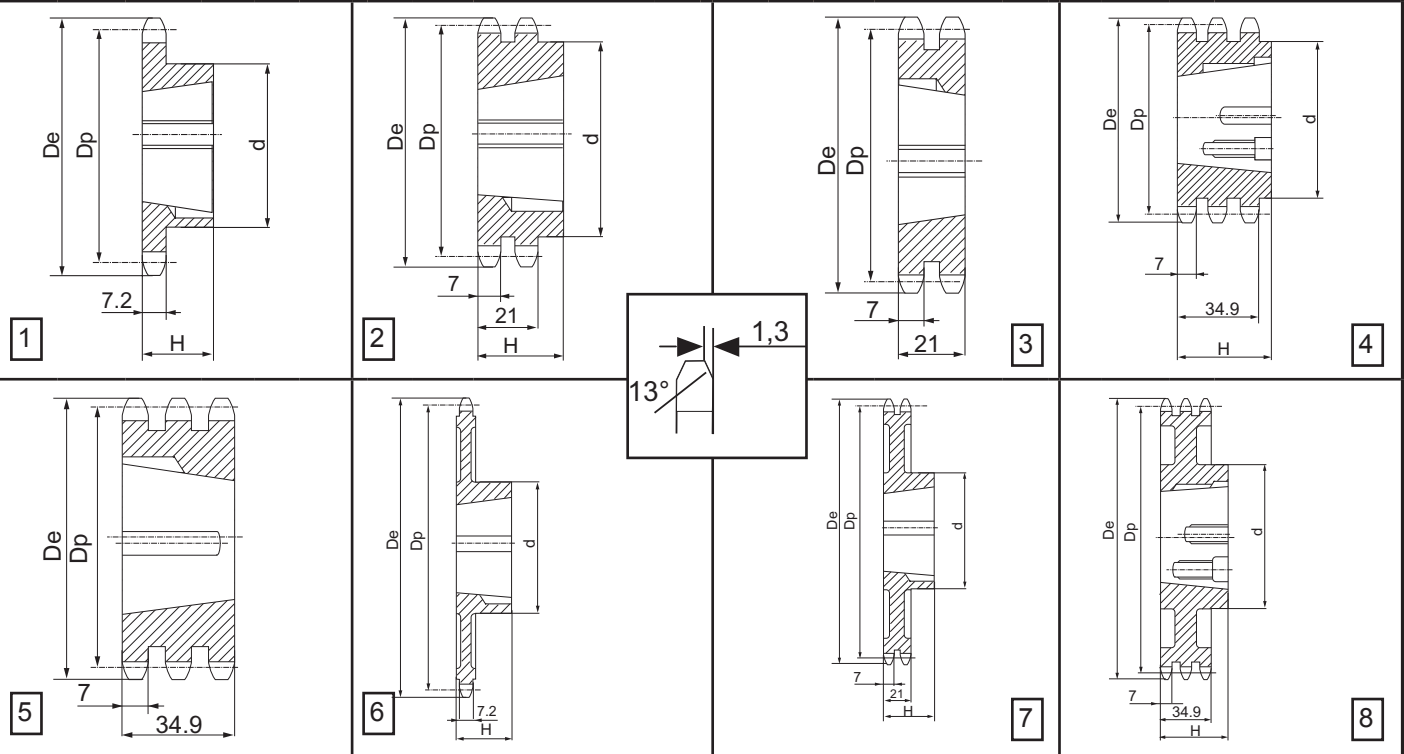
!! remarque / opmerking / observation / Bemerkung ----> pg 0 !!

* = fonte ou acier / gietijzer of staal / cast iron or steel / Grauguss oder Stahl

: Moyeu / Klembus / Bush / Spannbushs

1/2" x 5/16" (ØR 8.51mm) 08B-1-2-3

Pignons et roues à moyeu Taperbush	pour chaînes de transmission	DIN 8187 ISO/R606
Kettingwielen met Taperbush klembussen	voor rollenkettingen	
Chain sprockets with Taperbush bushings	for roller chains	
Kettenräder mit Taperbush Klemmbuchen	für Rollenketten	



Mat. C43			SIMPLEX						DUPLEX						TRIPLEX					
Z	De	Dp	d	H		Type	kg	art. n°	d	H		Type	kg	art. n°	d	H		Type	kg	art. n°
15	65.5	61.90	45	22	1008	1	0.16	113TB108015	46	22	1008	2	0.22	113TB208015	--	34.9	1008	5	0.36	113TB308015
16	69.5	65.10	50	22	1108	1	0.20	113TB108016	50	22	1108	2	0.22	113TB208016	--	34.9	1210	5	0.35	113TB308017
17	73.6	69.11	60	25	1210	1	0.22	113TB108017	56	25	1210	2	0.23	113TB208017	--	34.9	1210	5	0.35	113TB308017
18	77.8	73.14	60	25	1210	1	0.27	113TB108018	60	25	1210	2	0.28	113TB208018	--	34.9	1210	5	0.61	113TB308019
19	81.7	77.16	63	25	1210	1	0.33	113TB108019	62	25	1210	2	0.38	113TB208019	--	34.9	1210	5	0.61	113TB308019
20	85.8	81.19	71	25	1610	1	0.27	113TB108020	66	25	1610	2	0.40	113TB208020	--	34.9	1610	5	0.65	113TB308021
21	89.7	85.22	71	25	1610	1	0.36	113TB108021	70	25	1610	2	0.50	113TB208021	--	34.9	1610	5	0.65	113TB308021
22	93.8	89.24	71	25	1610	1	0.36	113TB108022	76	25	1610	2	0.56	113TB208022	--	34.9	1610	5	0.93	113TB308023
23	98.2	93.27	76	25	1610	1	0.50	113TB108023	79	25	1610	2	0.62	113TB208023	--	34.9	1610	5	0.93	113TB308023
24	101.8	97.29	76	25	1610	1	0.53	113TB108024	84	25	1610	2	0.67	113TB208024	--	34.9	1610	5	1.18	113TB308027
25	105.8	101.33	76	25	1610	1	0.56	113TB108025	87	32	2012	2	0.72	113TB208025	--	34.9	2012	5	0.85	113TB308025
26	110.0	105.36	76	25	1610	1	0.60	113TB108026	87	32	2012	2	0.82	113TB208026	--	34.9	2012	5	1.18	113TB308027
27	114.4	109.40	76	25	1610	1	0.63	113TB108027	87	32	2012	2	0.92	113TB208027	--	34.9	2012	5	1.18	113TB308027
28	118.0	113.42	90	32	2012	1	0.77	113TB108028	87	32	2012	2	1.12	113TB208028	--	34.9	2012	5	1.73	113TB308030
30	126.1	121.50	90	32	2012	1	0.91	113TB108030	87	32	2012	2	1.24	113TB208030	--	34.9	2012	5	1.73	113TB308030
38	158.6	153.80	90	32	2012	1	1.25	113TB108038	100	32	2012	2	2.50	113TB208038	--	34.9	2012	5	3.53	113TB308038
*45	188.0	182.07	100	32	2012	1/6	1.68	113TB108045	100	32	2012	2/7	2.89	113TB208045	--	34.9	2012	5	3.53	113TB308038
*57	236.4	230.54	100	32	2012	1/6	2.78	113TB108057	100	32	2012	2/7	3.64	113TB208057	--	34.9	2012	5	3.53	113TB308038
*76	313.3	307.33	100	32	2012	1/6	3.81	113TB108076	100	32	2012	2/7	5.09	113TB208076	--	34.9	2012	5	3.53	113TB308038
*95	390.1	384.11	100	32	2012	1/6	4.02	113TB108095	100	32	2012	2/7	6.01	113TB208095	--	34.9	2012	5	3.53	113TB308038
*114	466.9	460.90	110	45	2517	1/6	4.56	113TB108114	110	45	2517	2/7	7.02	113TB208114	--	34.9	2012	5	3.53	113TB308038

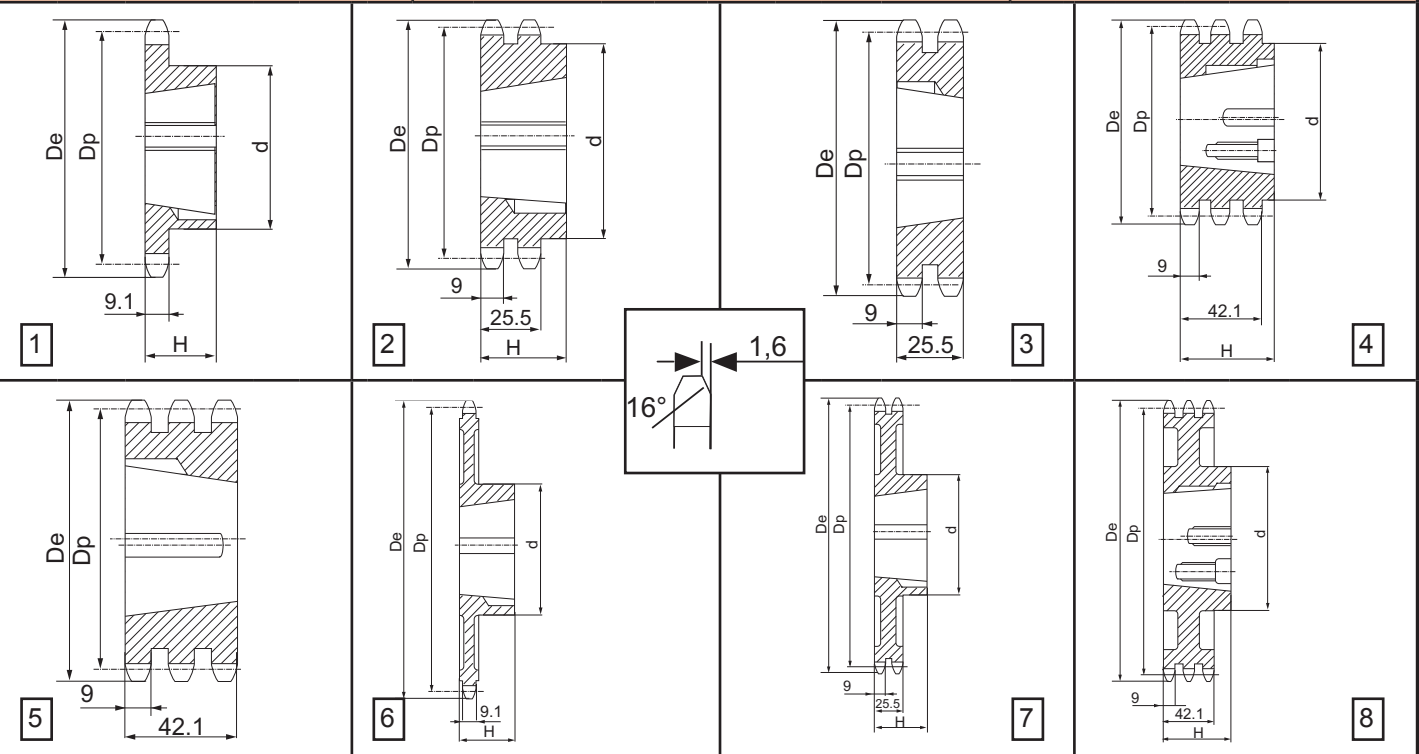
!! remarque / opmerking / observation / Bemerkung ----> pg 0 !!

* = fonte ou acier / gietijzer of staal / cast iron or steel / Grauguss oder Stahl

Moyeu / Klembus / Bush / Spannbushs

5/8" x 3/8" (ØR 10.16mm) 10B-1-2-3

Pignons et roues à moyeu Taperbush	pour chaînes de transmission	DIN 8187	ISO/R606
Kettingwielen met Taperbush klembussen	voor rollenkettingen		
Chain sprockets with Taperbush bushings	for roller chains		
Kettenräder mit Taperbush Klemmbuchen	für Rollenketten		



Mat. C43			SIMPLEX						DUPLEX						TRIPLEX						
Z	De	Dp	d	H		Type	kg	art. n°	d	H		Type	kg	art. n°	d	H		Type	kg	art. n°	
13	73.0	66.32	47	22	1008	1	0.23	113TB110013													
14	78.0	71.34	52	22	1108	1	0.27	113TB110014													
15	83.0	76.36	60	25	1210	1	0.30	113TB110015	--	25.5	1210	3	0.38	113TB210015	--	42.1	1210	5	0.63	113TB310015	
16	88.0	81.37	70	25	1610	1	0.38	113TB110016	--	25.5	1610	3	0.42	113TB210016							
17	93.0	86.36	71	25	1610	1	0.38	113TB110017	--	25.5	1610	3	0.47	113TB210017	--	42.1	1210	5	1.01	113TB310017	
18	98.3	91.42	75	25	1610	1	0.43	113TB110018	--	25.5	1610	3	0.52	113TB210018							
19	103.3	96.45	75	25	1610	1	0.54	113TB110019	--	25.5	1610	3	0.72	113TB210019	--	42.1	1615	5	1.19	113TB310019	
20	108.4	101.49	75	25	1610	1	0.61	113TB110020	--	25.5	1610	3	0.95	113TB210020							
21	113.4	106.52	76	25	1610	1	0.65	113TB110021	--	25.5	1610	3	1.01	113TB210021	--	42.1	1615	5	1.66	113TB310021	
22	118.0	11.55	76	25	1610	1	0.72	113TB110022	--	25.5	1610	3	1.22	113TB210022							
23	123.4	116.58	76	25	1610	1	0.77	113TB110023	--	25.5	1610	3	1.35	113TB210023	--	42.1	2012	5	1.78	113TB310023	
24	128.3	121.62	90	32	2012	1	0.98	113TB110024	90	32.0	2012	2	1.44	113TB210024							
25	134.0	126.66	90	32	2012	1	1.05	113TB110025	90	32.0	2012	2	1.55	113TB210025	105	45.0	2517	4	1.81	113TB310025	
26	139.0	131.70	90	32	2012	1	1.11	113TB110026	90	32.0	2012	2	1.85	113TB210026							
27	144.0	136.75	90	32	2012	1	1.17	113TB110027	90	32.0	2012	2	1.98	113TB210027	110	45.0	2517	4	2.45	113TB310027	
28	148.7	141.78	90	32	2012	1	1.29	113TB110028	90	32.0	2012	2	2.32	113TB210028							
30	158.8	151.87	90	32	2012	1	1.40	113TB110030	90	32.0	2012	2	2.63	113TB210030	120	45.0	2517	4	3.54	113TB310030	
38	199.2	192.24	100	32	2012	1	2.43	113TB110038	108	45.0	2517	2	2.86	113TB210038							113TB310038
*45	235.0	227.58	100	32	2012	1/6	3.12	113TB110045													
*57	296.0	288.18	100	32	2012	1/6	4.28	113TB110057													
*76	392.1	384.16	100	32	2012	1/6	5.95	113TB110076													
*95	488.5	480.14	110	45	2517	1/6	6.56	113TB110095													
*114	584.1	576.13	110	45	2517	1/6	7.58	113TB110114													

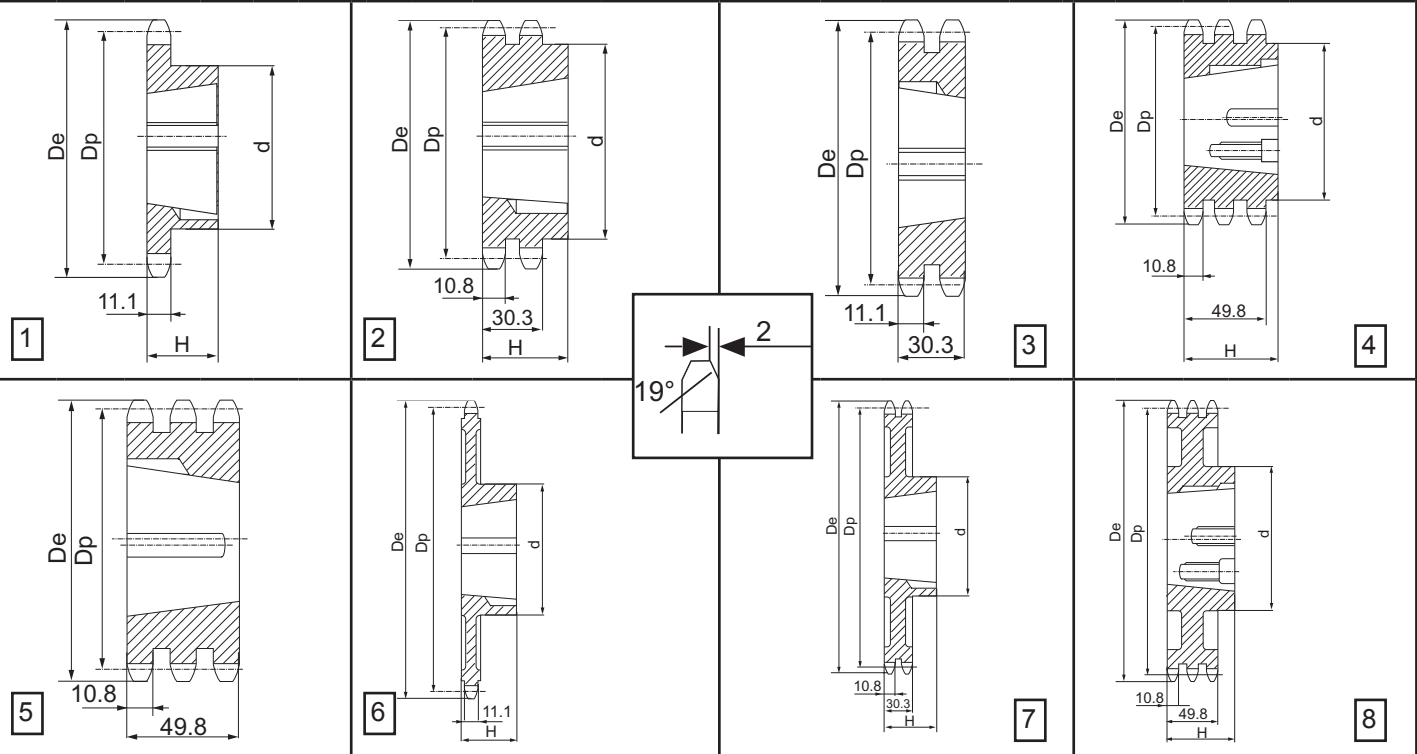
!! remarque / opmerking / observation / Bemerkung ----> pg 0 !!

* = fonte ou acier / gietijzer of staal / cast iron or steel / Grauguss oder Stahl

Moyeu / Klembus / Bush / Spannbushs

3/4" x 7/16" (ØR 12.07mm) 12B-1-2-3

Pignons et roues à moyeu Taperbush	pour chaînes de transmission	DIN 8187	ISO/R606
Kettingwielen met Taperbush klembussen	voor rollenkettingen		
Chain sprockets with Taperbush bushings	for roller chains		
Kettenräder mit Taperbush Klemmbuchen	für Rollenketten		



Mat. C43			SIMPLEX						DUPLEX						TRIPLEX						
Z	De	Dp	d	H		Type	kg	art. n°	d	H		Type	kg	art. n°	d	H		Type	kg	art. n°	
13	87.5	79.59	60	25	1210	1	0.35	113TB112013													
14	93.6	85.61	70	25	1610	1	0.40	113TB112014													
15	99.8	91.63	70	25	1610	1	0.44	113TB112015	--	30.3	1610	3	0.78	113TB212015	--	49.8	1615	5	1.11	113TB312015	
16	105.5	97.65	75	25	1610	1	0.53	113TB112016	--	30.3	1610	3	0.98	113TB212016							
17	111.5	103.67	76	25	1610	1	0.66	113TB112017	--	30.3	1610	3	1.24	113TB212017	--	49.8	2012	5	1.75	113TB312017	
18	118.0	109.71	90	32	2012	1	0.86	113TB112018	90	32	2012	2	1.24	113TB212018							
19	124.2	115.75	90	32	2012	1	0.94	113TB112019	90	32	2012	2	1.24	113TB212019	--	49.8	2012	5	2.02	113TB312019	
20	129.7	121.78	90	32	2012	1	1.04	113TB112020	108	45	2517	2	1.35	113TB212020							
21	136.0	127.82	102	45	2517	1	1.24	113TB112021	108	45	2517	2	1.68	113TB212021	--	49.8	2517	5	2.09	113TB312021	
22	141.8	133.86	102	45	2517	1	1.60	113TB112022	108	45	2517	2	1.95	113TB212022							
23	149.0	139.90	108	45	2517	1	1.70	113TB112023	108	45	2517	2	2.24	113TB212023	--	49.8	2517	5	3.00	113TB312023	
24	153.9	145.94	108	45	2517	1	1.81	113TB112024	108	45	2517	2	2.56	113TB212024							
25	160.0	152.00	108	45	2517	1	1.93	113TB112025	108	45	2517	2	2.87	113TB212025	--	49.8	2517	5	3.98	113TB312025	
26	165.9	158.04	108	45	2517	1	2.04	113TB112026	108	45	2517	2	3.02	113TB212026							
27	172.3	164.00	108	45	2517	1	2.14	113TB112027	108	45	2517	2	3.55	113TB212027	140	51	3020	4	3.90	113TB312027	
28	178.0	170.13	108	45	2517	1	2.37	113TB112028	108	45	2517	2	3.98	113TB212028							
30	190.5	182.25	108	45	2517	1	2.60	113TB112030	108	45	2517	2	4.62	113TB212030	140	51	3020	4	5.64	113TB312030	
38	239.0	230.69	108	45	2517	1	3.93	113TB112038	140	51	3020	2	8.11	113TB212038	140	51	3020	4	11.58	113TB312038	
*45	282.5	273.10	108	45	2517	1/6	5.52	113TB112045	140	51	3020	2/7	9.56	113TB212045	140	51	3020	4/8	12.11	113TB312045	
*57	355.4	345.81	108	45	2517	1/6	6.48	113TB112057	140	51	3020	2/7	10.28	113TB212057	140	51	3020	4/8	14.26	113TB312057	
*76	469.9	460.99	108	45	2517	1/6	9.71	113TB112076	140	51	3020	2/7	15.24	113TB212076	140	51	3020	4/8	13.58	113TB312076	
*95	585.1	576.17	108	45	2517	1/6	10.11	113TB112095	140	51	3020	2/7	16.45	113TB212095	140	76	3020	4/8	14.89	113TB312095	
*114	700.6	691.36	108	64	2525	1/6	11.23	113TB112114	140	76	3030	2/7	17.58	113TB212114	140	76	3030	4/8	16.78	113TB312114	

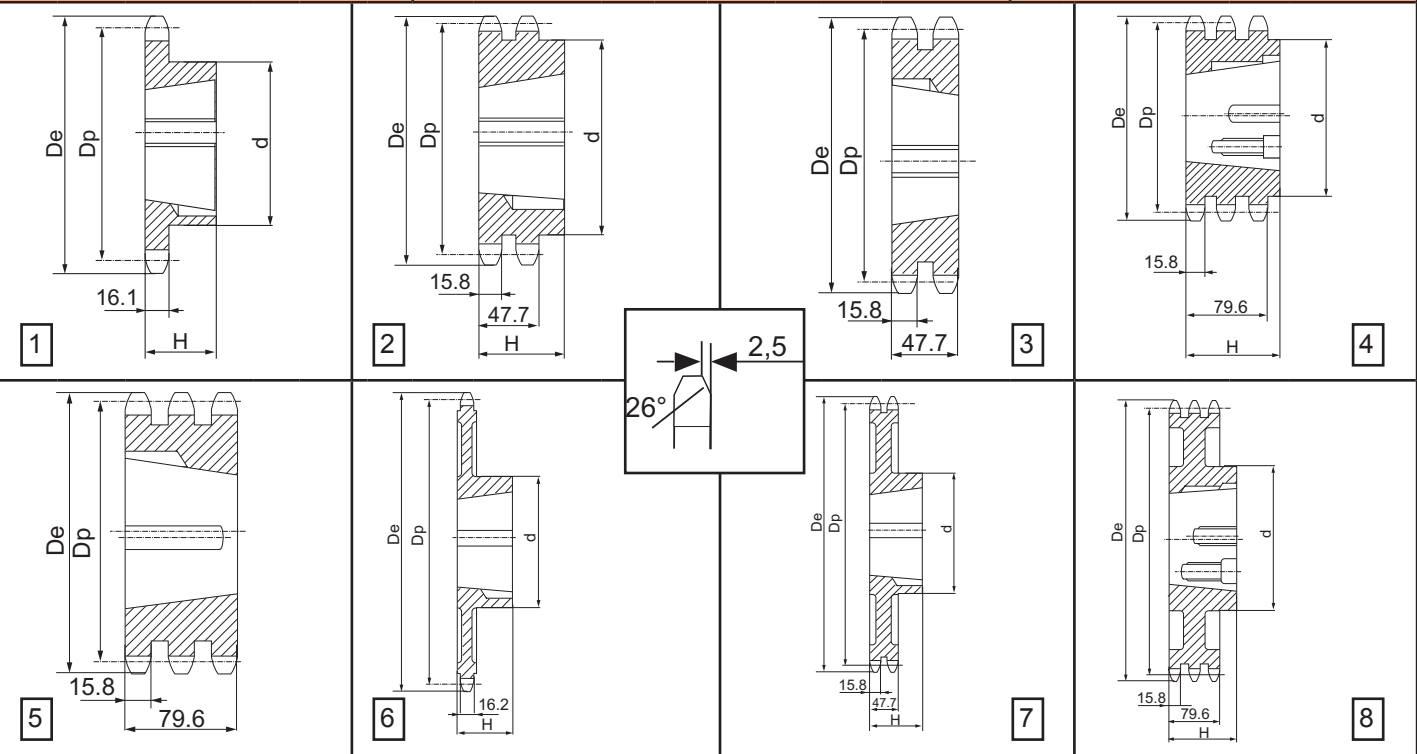
!! remarque / opmerking / observation / Bemerkung ----> pg 0 !!

* = fonte ou acier / gietijzer of staal / cast iron or steel / Grauguss oder Stahl

Moyeu / Klembus / Bush / Spannbushs

1" x 17.02 mm (ØR 15.88mm) 16B-1-2-3

Pignons et roues à moyeu Taperbush	pour chaînes de transmission	DIN 8187	ISO/R606
Kettingwielen met Taperbush klembussen	voor rollenkettingen		
Chain sprockets with Taperbush bushings	for roller chains		
Kettenräder mit Taperbush Klemmbuchen	für Rollenketten		



Mat. C43		SIMPLEX							DUPLEX							TRIPLEX						
Z	De	Dp	d	H		Type	kg	art. n°	d	H		Type	kg	art. n°	d	H		Type	kg	art. n°		
13	117.0	106.12	73	25	1610	1	0.98	113TB116013														
14	125.0	114.15	76	25	1610	1	1.14	113TB116014														
15	133.0	122.17	76	25	1610	1	1.30	113TB116015	--	47.7	2012	3	2.11	113TB216015								
16	141.0	130.20	90	32	2012	1	1.40	113TB116016	--	47.7	2517	3	2.45	113TB216016								
17	149.0	138.22	90	32	2012	1	1.59	113TB116017	--	47.7	2517	3	2.53	113TB216017	--	79.6	2517	5	4.29	113TB316017		
18	157.0	146.28	108	45	2517	1	2.10	113TB116018	--	47.7	2517	3	3.20	113TB216018								
19	165.2	154.33	108	45	2517	1	2.29	113TB116019	--	47.7	2517	3	3.80	113TB216019	--	79.6	3020	5	4.36	113TB316019		
20	173.2	162.38	108	45	2517	1	2.60	113TB116020	--	47.7	2517	3	4.02	113TB216020								
21	181.2	170.43	110	45	2517	1	2.81	113TB116021	140	51	3020	2	4.15	113TB216021	--	79.6	3020	5	6.69	113TB316021		
22	189.3	178.48	110	45	2517	1	3.10	113TB116022	140	51	3020	2	5.02	113TB216022								
23	197.5	186.53	110	45	2517	1	3.38	113TB116023	140	51	3020	2	5.69	113TB216023	--	79.6	3525	5	7.80	113TB316023		
24	205.5	194.59	110	45	2517	1	3.70	113TB116024	140	51	3020	2	6.03	113TB216024								
25	213.5	202.66	110	45	2517	1	3.97	113TB116025	140	51	3020	2	6.38	113TB216025	--	79.6	3525	5	10.93	113TB316025		
26	221.6	210.72	110	45	2517	1	4.26	113TB116026	140	51	3020	2	8.52	113TB216026								
27	229.6	218.79	110	45	2517	1	4.55	113TB116027	140	51	3020	2	9.27	113TB216027	--	79.6	3525	5	14.06	113TB316027		
28	237.7	226.85	110	45	2517	1	5.26	113TB116028	140	51	3020	2	12.23	113TB216028								
30	254.0	243.00	140	51	3020	1	5.97	113TB116030	140	51	3020	2	13.50	113TB216030	--	79.6	3525	5	19.10	113TB316030		
38	320.7	307.59	140	51	3020	1	8.73	113TB116038	140	51	3020	2	14.94	113TB216038	--	79.6	3525	5	21.65	113TB316038		
*45	377.1	364.13	140	51	3020	1/6	12.49	113TB116045	140	51	3020	2/7	22.26	113TB216045	216	79.6	4030	5/8	32.56	113TB316045		
*57	474.0	461.07	140	51	3020	1/6	13.87	113TB116057	175	65	3525	2/7	25.62	113TB216057	216	79.6	4030	5/8	40.50	113TB316057		
*76	627.0	614.65	140	51	3020	1/6	22.63	113TB116076	175	65	3525	2/7	29.56	113TB216076	216	79.6	4030	5/8	29.56	113TB316076		
*95	781.1	768.22	140	51	3020	1/6	23.56	113TB116095	215	65	3525	2/7	32.45	113TB216095	240	79.6	4030	5/8	32.45	113TB316095		
*114	934.3	921.81	140	76	3020	1/6	24.56	113TB116114	215	102	4040	2/7	46.52	113TB216114	240	115	4545	4/8	46.52	113TB316114		

!! remarque / opmerking / observation / Bemerkung ----> pg 0 !!

* = fonte ou acier / gietijzer of staal / cast iron or steel / Grauguss oder Stahl

Moyeu / Klembus / Bush / Spannbushs

1"1/4 x 3/4"

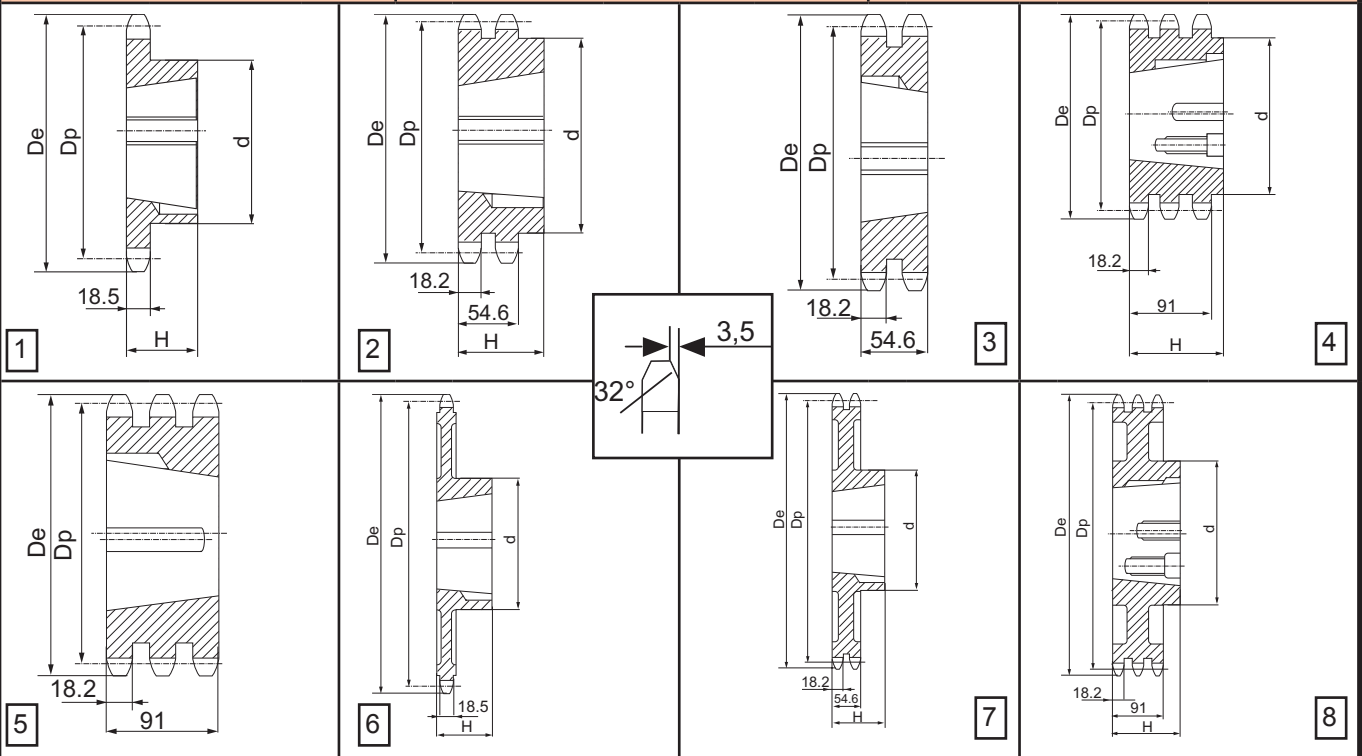
(ØR 19.05mm)

20B-1

Pignons et roues à moyeu T.L.®	pour chaînes de transmission
Kettingwielen met T.L.® klembussen	voor rollenkettingen
Chain sprockets with T.L.® bushings	for roller chains
Kettenräder mit T.L.® Klemmbuchen	für Rollenketten

DIN 8187

ISO/R606



Mat. C43

SIMPLEX

Z	De	Dp	d	H		Type	kg	art. n°
13	147.8	132.65	90	32	2012	1	2.45	113TB120013
15	167.9	152.72	108	45	2517	1	3.39	113TB120015
17	187.9	172.78	108	45	2517	1	5.07	113TB120017
19	208.1	192.91	108	45	2517	1	6.75	113TB120019
21	228.2	213.04	108	45	2517	1	7.70	113TB120021
23	248.3	233.17	108	45	2517	1	8.78	113TB120023
25	268.5	253.33	108	45	2517	1	9.50	113TB120025
27	288.6	273.40	150	51	3020	1	10.26	113TB120027
30	318.9	303.75	150	51	3020	1	11.90	113TB120030
*38	399.6	384.49	160	51	3020	1/6	15.80	113TB120038
*45	470.3	455.17	160	51	3020	1/6	16.59	113TB120045
*57	591.5	576.36	160	51	3020	1/6	18.82	113TB120057
*76	783.5	768.32	160	51	3020	1/6	20.10	113TB120076

!! remarque / opmerking / observation / Bemerkung ----> pg 0 !!

* = fonte ou acier / gietijzer of staal / cast iron or steel / Grauguss oder Stahl

: Moyeu / Klembus / Bush / Spannbuchse