



**Pignons DIN 8187 à moyeu
préalésé pour chaînes de transmission**

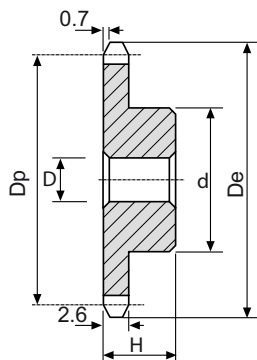
**Kettingwielen met voorboring
voor rollenkettingen DIN 8187**

**Sprockets prebored for
roller chains DIN 8187**

**Kettenräder mit Vorbohrung
für Rollenketten DIN 8187**

6 x 2,8mm (ØR 4mm) 04B-1

Pignons	pour chaînes à rouleaux	DIN 8187	ISO/R606
Kettingwielen	voor rollenkettingen		
Sprockets	for roller chains		
Kettenräder	für Rollenkettten		



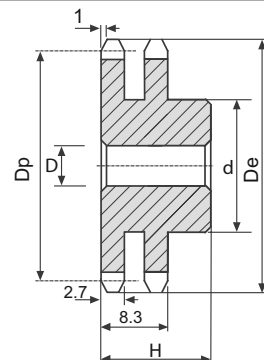
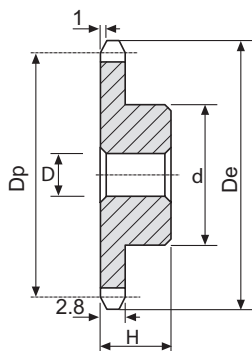
Z	De	Dp	d	D	H	kg	art. n°
8	18.0	15.67	9.8	5	10	0.01	105B104008
9	19.9	17.54	11.5	5	10	0.01	105B104009
10	21.7	19.42	13	6	10	0.01	105B104010
11	23.6	21.30	14	6	10	0.01	105B104011
12	25.4	23.18	16	6	10	0.02	105B104012
13	27.3	25.05	18	8	10	0.02	105B104013
14	29.2	26.96	20	8	10	0.03	105B104014
15	31.1	28.86	20	8	10	0.03	105B104015
16	33.0	30.76	20	8	13	0.03	105B104016
17	35.0	32.65	20	8	13	0.04	105B104017
18	36.9	34.55	20	8	13	0.04	105B104018
19	38.8	36.44	20	8	13	0.04	105B104019
20	40.7	38.34	20	8	13	0.04	105B104020
21	42.6	40.25	25	8	13	0.06	105B104021
22	44.5	42.16	25	8	13	0.06	105B104022
23	46.4	44.06	25	8	13	0.06	105B104023
24	48.3	45.96	25	8	13	0.07	105B104024
25	50.2	47.87	25	8	13	0.07	105B104025
26	52.1	49.77	30	8	15	0.10	105B104026
27	54.0	51.67	30	8	15	0.10	105B104027
28	55.9	53.58	30	8	15	0.11	105B104028
29	57.8	55.50	30	8	15	0.11	105B104029
30	59.8	57.42	30	8	15	0.11	105B104030
31	61.7	59.31	30	8	15	0.11	105B104031
32	63.6	61.21	30	8	15	0.12	105B104032
33	65.5	63.11	30	8	15	0.12	105B104033
34	67.4	65.02	30	8	15	0.12	105B104034
35	69.3	66.93	30	8	15	0.13	105B104035
36	71.2	68.84	30	8	15	0.13	105B104036
37	73.1	70.75	30	8	15	0.14	105B104037
38	75.0	72.66	30	8	15	0.14	105B104038
39	76.9	74.56	30	8	15	0.14	105B104039
40	78.9	76.47	30	8	15	0.15	105B104040
45	88.5	86.01	40	10	18	0.46	105B104045
50	98.0	95.55	50	12	20	0.49	105B104050
57	111.4	108.93	50	12	20	0.53	105B104057

!! remarque / opmerking / observation / Bemerkung ----> pg 0 !!

Mat Fe50

8 x 3.0mm (ØR 5mm) 05B-1-2

Pignons	pour chaînes à rouleaux	DIN 8187 ISO/R606
Kettingwielen	voor rollenkettingen	
Sprockets	for roller chains	
Kettenräder	für Rollenketten	



SIMPLEX

DUPLEX

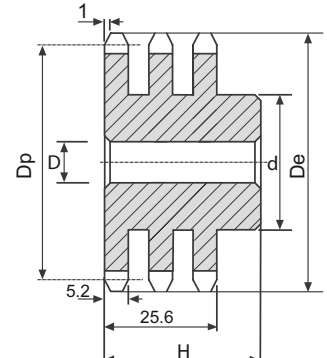
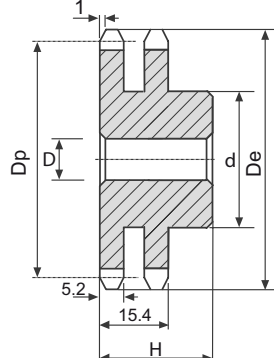
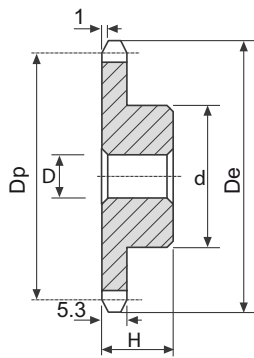
Z	De	Dp	d	D	H	kg	art. n°	d	D	H	kg	art. n°
8	24.0	20.90	13	6	12	0.01	105B105008	12	8	18	0.02	105B205008
9	26.6	23.39	15	6	12	0.02	105B105009	15	8	18	0.03	105B205009
10	29.2	25.89	17	8	12	0.02	105B105010	17	8	18	0.03	105B205010
11	31.7	28.39	18	8	13	0.03	105B105011	19	10	18	0.04	105B205011
12	34.2	30.91	20	8	13	0.04	105B105012	21	10	18	0.05	105B205012
13	36.7	33.42	23	8	13	0.05	105B105013	24	10	18	0.07	105B205013
14	39.2	35.95	25	8	13	0.05	105B105014	26	10	18	0.08	105B205014
15	41.7	38.48	28	8	13	0.07	105B105015	29	10	18	0.10	105B205015
16	44.3	41.01	30	8	14	0.08	105B105016	32	10	20	0.13	105B205016
17	46.8	43.53	30	8	14	0.09	105B105017	34	10	20	0.15	105B205017
18	49.3	46.07	30	8	14	0.09	105B105018	37	10	20	0.17	105B205018
19	51.9	48.61	30	8	14	0.09	105B105019	39	10	20	0.20	105B205019
20	54.4	51.14	30	8	14	0.10	105B105020	40	10	20	0.21	105B205020
21	57.0	53.67	35	8	14	0.12	105B105021	40	10	20	0.25	105B205021
22	59.5	56.21	35	8	14	0.13	105B105022	40	10	20	0.26	105B205022
23	62.0	58.75	35	8	14	0.13	105B105023	40	10	20	0.28	105B205023
24	64.6	61.29	35	8	14	0.14	105B105024	40	10	20	0.23	105B205024
25	67.5	63.83	35	8	14	0.15	105B105025	40	10	20	0.31	105B205025
26	69.5	66.37	40	10	16	0.19	105B105026	50	12	22	0.38	105B205026
27	72.2	68.91	40	10	16	0.20	105B105027	50	12	22	0.40	105B205027
28	74.8	71.45	40	10	16	0.20	105B105028	50	12	22	0.42	105B205028
29	77.3	73.99	40	10	16	0.21	105B105029	50	12	22	0.44	105B205029
30	79.8	76.53	40	10	16	0.22	105B105030	50	12	22	0.45	105B205030
31	82.4	79.08	40	10	16	0.22	105B105031	60	12	22	0.55	105B205031
32	84.9	81.61	40	10	16	0.22	105B105032	60	12	22	0.59	105B205032
33	87.5	84.16	40	10	16	0.23	105B105033	60	12	22	0.61	105B205033
34	90.0	86.70	40	10	16	0.24	105B105034	60	12	22	0.63	105B205034
35	92.5	89.24	40	10	16	0.25	105B105035	60	12	22	0.65	105B205035
36	95.0	91.79	40	10	16	0.25	105B105036	60	12	22	0.67	105B205036
37	97.6	94.33	40	10	16	0.26	105B105037	60	12	22	0.70	105B205037
38	100.2	96.88	40	10	16	0.27	105B105038	60	12	22	0.72	105B205038
39	102.7	99.42	40	10	16	0.28	105B105039	60	12	22	0.75	105B205039
40	105.2	101.97	40	10	16	0.29	105B105040	60	12	22	0.77	105B205040
45	118.0	114.69	60	12	20	0.58	105B105045					
50	130.7	127.41	60	12	20	0.63	105B105050					
57	148.6	145.22	80	14	20	1.00	105B105057					
76	197.7	193.59	80	20	25	1.94	105B105076					

!! remarque / opmerking / observation / Bemerkung ----> pg 0 !!

Mat C43 ≤ z:40 Fe37 > Z:40

3/8" x 7/32" (ØR 6.35mm) 06B-1-2-3

Pignons	pour chaînes à rouleaux	DIN 8187 ISO/R606
Kettingwielen	voor rollenkettingen	
Sprockets	for roller chains	
Kettenräder	für Rollenketten	



SIMPLEX

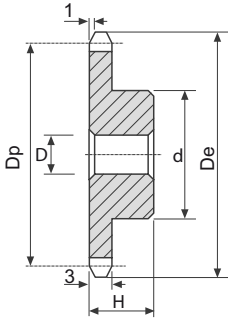
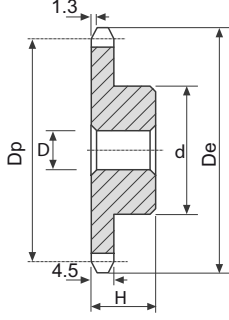
DUPLEX

TRIPLEX

Z	De	Dp	d	D	H	kg	art. n°	d	D	H	kg	art. n°	d	D	H	kg	art. n°
8	28.0	24.89	15	8	22	0.03	105B106008	15	6	22	0.04	105B206008	15	6	32	0.05	105B306008
9	31.0	27.85	18	8	22	0.04	105B106009	18	8	22	0.05	105B206009	18	8	32	0.07	105B306009
10	34.0	30.82	20	8	22	0.05	105B106010	20	8	22	0.07	105B206010	20	10	32	0.09	105B306010
11	37.0	33.80	22	8	25	0.08	105B106011	22	10	25	0.10	105B206011	22	10	35	0.11	105B306011
12	40.0	36.80	25	8	25	0.10	105B106012	25	10	25	0.13	105B206012	25	10	35	0.15	105B306012
13	43.0	39.80	28	10	25	0.13	105B106013	28	10	25	0.16	105B206013	28	10	35	0.19	105B306013
14	46.3	42.80	31	10	25	0.16	105B106014	31	10	25	0.20	105B206014	31	12	35	0.23	105B306014
15	49.3	45.81	34	10	25	0.19	105B106015	34	10	25	0.24	105B206015	34	12	35	0.28	105B306015
16	52.3	48.82	37	10	28	0.24	105B106016	37	12	30	0.27	105B206016	37	12	35	0.33	105B306016
17	55.3	51.83	40	10	28	0.28	105B106017	40	12	30	0.32	105B206017	40	12	35	0.39	105B306017
18	58.3	54.85	43	10	28	0.33	105B106018	43	12	30	0.38	105B206018	43	12	35	0.45	105B306018
19	61.3	57.87	45	10	28	0.36	105B106019	46	12	30	0.42	105B206019	46	12	35	0.51	105B306019
20	64.3	60.89	46	10	28	0.39	105B106020	49	12	30	0.48	105B206020	49	12	35	0.58	105B306020
21	68.0	63.91	48	12	28	0.42	105B106021	52	12	30	0.52	105B206021	52	14	40	0.70	105B306021
22	71.0	66.93	50	12	28	0.46	105B106022	55	12	30	0.58	105B206022	55	14	40	0.78	105B306022
23	73.5	69.95	52	12	28	0.50	105B106023	58	12	30	0.64	105B206023	58	14	40	0.87	105B306023
24	77.0	72.97	54	12	28	0.54	105B106024	61	12	30	0.71	105B206024	61	14	40	0.97	105B306024
25	80.0	76.00	57	12	28	0.60	105B106025	64	12	30	0.79	105B206025	64	14	40	1.06	105B306025
26	83.0	79.02	60	12	28	0.66	105B106026	67	12	30	0.87	105B206026	67	14	40	1.17	105B306026
27	86.0	82.04	60	12	28	0.67	105B106027	70	12	30	0.94	105B206027	70	14	40	1.27	105B306027
28	89.0	85.07	60	12	28	0.69	105B106028	73	12	30	1.03	105B206028	73	14	40	1.39	105B306028
29	92.0	88.09	60	12	28	0.70	105B106029	76	12	30	1.11	105B206029	76	14	40	1.50	105B306029
30	94.7	91.12	60	12	30	0.72	105B106030	79	12	30	1.20	105B206030	79	14	40	1.62	105B306030
31	98.3	94.15	65	14	30	0.87	105B106031	80	16	30	1.27	105B206031	80	16	40	1.72	105B306031
32	101.3	97.17	65	14	30	0.89	105B106032	80	16	30	1.32	105B206032	80	16	40	1.80	105B306032
33	104.3	100.20	65	14	30	0.91	105B106033	80	16	30	1.37	105B206033	80	16	40	1.89	105B306033
34	107.3	103.23	65	14	30	0.92	105B106034	80	16	30	1.43	105B206034	85	16	40	2.06	105B306034
35	110.4	106.26	65	14	30	0.95	105B106035	80	16	30	1.49	105B206035	85	16	40	2.15	105B306035
36	113.4	109.29	70	16	30	1.05	105B106036	90	16	30	1.70	105B206036	90	16	40	2.33	105B306036
37	116.4	112.32	70	16	30	1.09	105B106037	90	16	30	1.76	105B206037	90	16	40	2.43	105B306037
38	119.5	115.34	70	16	30	1.10	105B106038	90	16	30	1.81	105B206038	90	16	40	2.53	105B306038
39	122.5	118.37	70	16	30	1.12	105B106039	90	16	30	1.88	105B206039	90	16	40	2.63	105B306039
40	125.5	121.40	70	16	30	1.14	105B106040	90	16	30	1.95	105B206040	90	16	40	2.74	105B306040

!! remarque / opmerking / observation / Bemerkung ----> pg 0 !!

Mat C43 ≤ z:40 Fe37 > Z:40

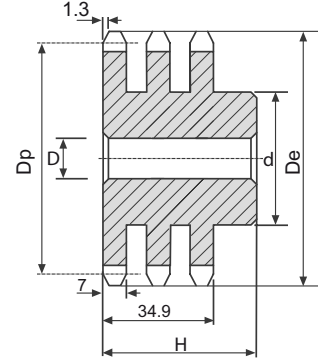
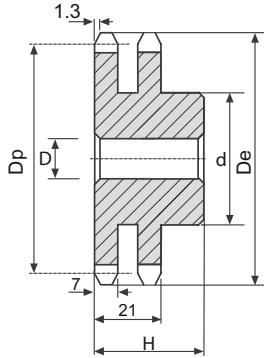
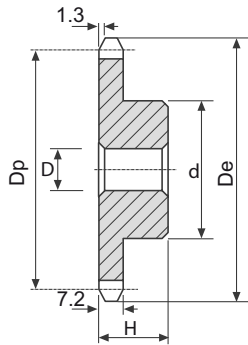
1/2" x 1/8" (ØR 7.75mm) 081-1								1/2" x 3/16" (ØR 7.75mm) 083-1/084-1							
Pignons	pour chaînes à rouleaux		DIN 8187 ISO/R606					Pignons	pour chaînes à rouleaux		DIN 8187 ISO/R606				
Kettingwielen	voor rollenkettingen							Kettingwielen	voor rollenkettingen						
Sprockets	for roller chains							Sprockets	for roller chains						
Kettenräder	für Rollenketten							Kettenräder	für Rollenketten						
															
Z	De	Dp	d	D	H	kg	art. n°	Z	De	Dp	d	D	H	kg	art. n°
8	37.2	33.18	21	8	14	0.04	105B1081008	8	38.5	33.18	21	8	14	0.04	105B1083008
9	41.5	37.13	25	8	14	0.06	105B1081009	9	41.5	37.13	25	8	14	0.06	105B1083009
10	46.2	41.10	28	8	14	0.07	105B1081010	10	46.2	41.10	28	8	14	0.08	105B1083010
11	49.6	45.07	31	8	16	0.10	105B1081011	11	49.6	45.07	31	8	16	0.11	105B1083011
12	53.9	49.07	35	8	16	0.13	105B1081012	12	53.9	49.07	35	8	16	0.14	105B1083012
13	58.4	53.06	39	8	16	0.16	105B1081013	13	58.4	53.06	39	8	16	0.17	105B1083013
14	62.8	57.07	43	8	16	0.19	105B1081014	14	62.8	57.07	43	8	16	0.20	105B1083014
15	66.8	61.09	47	8	16	0.23	105B1081015	15	66.8	61.09	47	8	16	0.24	105B1083015
16	70.9	65.10	50	10	18	0.29	105B1081016	16	70.9	65.10	50	10	18	0.30	105B1083016
17	74.9	69.11	50	10	18	0.30	105B1081017	17	74.9	69.11	50	10	18	0.31	105B1083017
18	78.9	73.14	50	10	18	0.31	105B1081018	18	78.9	73.14	50	10	18	0.33	105B1083018
19	82.9	77.16	50	10	18	0.32	105B1081019	19	82.9	77.16	50	10	18	0.34	105B1083019
20	86.9	81.19	50	10	18	0.33	105B1081020	20	86.9	81.19	50	10	18	0.36	105B1083020
21	91.0	85.22	60	12	20	0.48	105B1081021	21	91.0	85.22	60	12	20	0.51	105B1083021
22	95.0	89.24	60	12	20	0.49	105B1081022	22	95.0	89.24	60	12	20	0.53	105B1083022
23	99.0	93.27	60	12	20	0.51	105B1081023	23	99.0	93.27	60	12	20	0.55	105B1083023
24	103.0	97.29	60	12	20	0.52	105B1081024	24	103.0	97.29	60	12	20	0.57	105B1083024
25	107.1	101.33	60	12	20	0.53	105B1081025	25	107.1	101.33	60	12	20	0.59	105B1083025
26	111.2	105.36	70	16	20	0.67	105B1081026	26	111.2	105.36	70	16	20	0.72	105B1083026
27	115.4	109.40	70	16	20	0.69	105B1081027	27	115.4	109.40	70	16	20	0.74	105B1083027
28	119.4	113.42	70	16	20	0.70	105B1081028	28	119.4	113.42	70	16	20	0.77	105B1083028
29	123.4	117.46	70	16	20	0.72	105B1081029	29	123.4	117.46	70	16	20	0.79	105B1083029
30	127.5	121.50	70	16	20	0.74	105B1081030	30	127.5	121.50	70	16	20	0.82	105B1083030
31	131.5	125.54	70	16	20	0.76	105B1081031	31	131.5	125.54	70	16	20	0.85	105B1083031
32	135.5	129.56	70	16	20	0.77	105B1081032	32	135.5	129.56	70	16	20	0.87	105B1083032
33	139.6	133.60	70	16	20	0.79	105B1081033	33	139.6	133.60	70	16	20	0.90	105B1083033
34	143.6	137.64	70	16	20	0.81	105B1081034	34	143.6	137.64	70	16	20	0.93	105B1083034
35	147.6	141.68	70	16	20	0.83	105B1081035	35	147.6	141.68	70	16	20	0.96	105B1083035
36	151.7	145.72	70	16	25	1.00	105B1081036	36	151.7	145.72	70	16	25	1.14	105B1083036
37	155.7	149.76	70	16	25	1.02	105B1081037	37	155.7	149.76	70	16	25	1.17	105B1083037
38	159.8	153.80	70	16	25	1.04	105B1081038	38	159.8	153.80	70	16	25	1.20	105B1083038
39	163.8	157.83	70	16	25	1.06	105B1081039	39	163.8	157.83	70	16	25	1.24	105B1083039
40	167.8	161.87	70	16	25	1.09	105B1081040	40	167.8	161.87	70	16	25	1.27	105B1083040

!! remarque / opmerking / observation / Bemerkung ----> pg 0 !!

Mat C43 ≤ z:40 Fe37 > Z:40

1/2" x 5/16" (ØR 8.51mm) 08B-1-2-3

Pignons	pour chaînes à rouleaux	DIN 8187 ISO/R606
Kettingwielen	voor rollenkettingen	
Sprockets	for roller chains	
Kettenräder	für Rollenketten	



SIMPLEX								DUPLEX					TRIPLEX				
---------	--	--	--	--	--	--	--	--------	--	--	--	--	---------	--	--	--	--

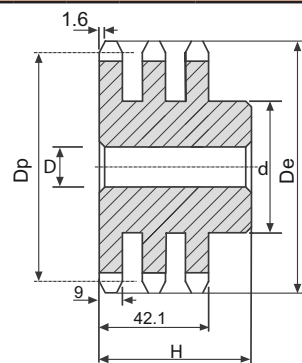
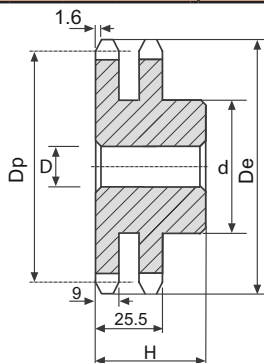
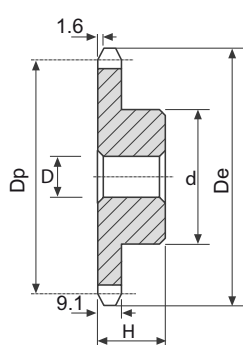
Z	De	Dp	d	D	H	kg	art. n°	d	D	H	kg	art. n°	d	D	H	kg	art. n°
8	37.2	33.18	20	10	25	0.06	105B108008	20	10	32	0.09	105B208008	20	10	46	0.13	105B308008
9	41.0	37.13	24	10	25	0.09	105B108009	24	10	32	0.13	105B208009	24	12	46	0.18	105B308009
10	45.2	41.10	26	10	25	0.12	105B108010	28	10	32	0.18	105B208010	28	12	46	0.24	105B308010
11	48.7	45.07	29	10	25	0.15	105B108011	32	12	35	0.24	105B208011	32	14	50	0.31	105B308011
12	53.0	49.07	33	10	28	0.21	105B108012	35	12	35	0.30	105B208012	35	14	50	0.39	105B308012
13	57.4	53.06	37	10	28	0.26	105B108013	38	12	35	0.36	105B208013	38	14	50	0.49	105B308013
14	61.8	57.07	41	10	28	0.32	105B108014	42	12	35	0.44	105B208014	42	14	50	0.60	105B308014
15	65.5	61.09	45	10	28	0.38	105B108015	46	12	35	0.52	105B208015	46	14	50	0.72	105B308015
16	69.5	65.10	50	12	28	0.46	105B108016	50	14	35	0.63	105B208016	50	16	50	0.85	105B308016
17	73.6	69.11	52	12	28	0.51	105B108017	54	14	35	0.73	105B208017	54	16	50	0.99	105B308017
18	77.8	73.14	56	12	28	0.59	105B108018	58	14	35	0.85	105B208018	58	16	50	1.14	105B308018
19	81.7	77.16	60	12	28	0.67	105B108019	62	14	35	0.97	105B208019	62	16	50	1.30	105B308019
20	85.8	81.19	64	12	28	0.76	105B108020	66	14	35	1.10	105B208020	66	16	50	1.47	105B308020
21	89.7	85.22	68	12	28	0.85	105B108021	70	16	40	1.29	105B208021	70	20	55	1.79	105B308021
22	93.8	89.24	70	12	28	0.91	105B108022	70	16	40	1.37	105B208022	70	20	55	1.93	105B308022
23	98.2	93.27	70	14	28	0.95	105B108023	70	16	40	1.46	105B208023	70	20	55	2.08	105B308023
24	101.8	97.29	70	14	28	0.98	105B108024	75	16	40	1.64	105B208024	75	20	55	2.32	105B308024
25	105.8	101.33	70	14	28	1.01	105B108025	80	16	40	1.82	105B208025	80	20	55	2.57	105B308025
26	110.0	105.36	70	16	30	1.09	105B108026	85	20	40	2.02	105B208026	85	20	55	2.79	105B308026
27	114.0	109.40	70	16	30	1.13	105B108027	85	20	40	2.12	105B208027	85	20	55	2.96	105B308027
28	118.0	113.42	70	16	30	1.17	105B108028	90	20	40	2.34	105B208028	90	20	55	3.25	105B308028
29	122.0	117.46	80	16	30	1.42	105B108029	95	20	40	2.56	105B208029	95	20	55	3.55	105B308029
30	126.1	121.50	80	16	30	1.46	105B108030	100	20	40	2.79	105B208030	100	20	55	3.86	105B308030
31	130.2	125.54	90	16	30	1.74	105B108031	100	20	40	2.87	105B208031	110	20	55	4.32	105B308031
32	134.3	129.56	90	16	30	1.78	105B108032	100	20	40	3.00	105B208032	110	20	55	4.53	105B308032
33	138.4	133.60	90	16	30	1.83	105B108033	100	20	40	3.13	105B208033	110	20	55	4.74	105B308033
34	142.6	137.64	90	16	30	1.88	105B108034	100	20	40	3.26	105B208034	110	20	55	4.97	105B308034
35	146.7	141.68	90	16	30	1.93	105B108035	100	20	40	3.40	105B208035	110	20	55	5.20	105B308035
36	151.0	145.72	90	16	35	2.22	105B108036	110	20	40	3.54	105B208036	120	25	55	5.64	105B308036
37	154.6	149.76	90	16	35	2.27	105B108037	110	20	40	3.69	105B208037	120	25	55	5.88	105B308037
38	158.6	153.80	90	16	35	2.32	105B108038	110	20	40	3.84	105B208038	120	25	55	6.14	105B308038
39	162.7	157.83	90	16	35	2.38	105B108039	110	20	40	4.00	105B208039	120	25	55	6.40	105B308039
40	166.8	161.87	90	16	35	2.43	105B108040	110	20	40	4.15	105B208040	120	25	55	6.66	105B308040

!! remarque / opmerking / observation / Bemerkung ----> pg 0 !!

Mat C43 ≤ z:40 Fe37 > Z:40

5/8" x 3/8" (ØR 10.16mm) 10B-1-2-3

Pignons	pour chaînes à rouleaux	DIN 8187 ISO/R606
Kettingwielen	voor rollenkettingen	
Sprockets	for roller chains	
Kettenräder	für Rollenketten	



SIMPLEX								DUPLEX					TRIPLEX				
---------	--	--	--	--	--	--	--	--------	--	--	--	--	---------	--	--	--	--

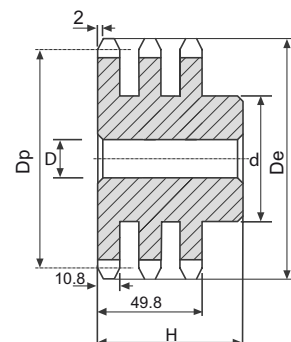
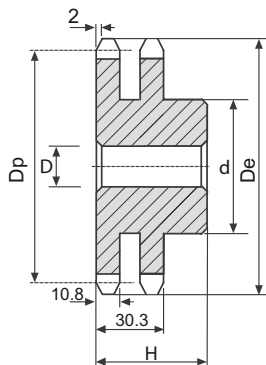
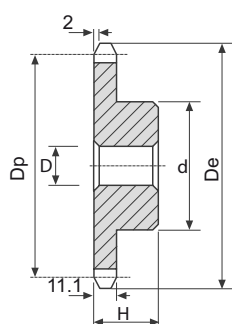
Z	De	Dp	d	D	H	kg	art. n°	d	D	H	kg	art. n°	d	D	H	kg	art. n°
8	47.0	41.48	25	10	25	0.12	105B110008	25	12	40	0.19	105B210008	25	12	55	0.27	105B310008
9	52.6	46.42	30	10	25	0.16	105B110009	30	12	40	0.27	105B210009	30	12	55	0.38	105B310009
10	57.5	51.37	35	10	25	0.22	105B110010	35	12	40	0.36	105B210010	35	16	55	0.47	105B310010
11	63.0	56.34	37	12	30	0.29	105B110011	39	14	40	0.43	105B210011	39	16	55	0.61	105B310011
12	68.0	61.34	42	12	30	0.37	105B110012	44	14	40	0.55	105B210012	44	16	55	0.78	105B310012
13	73.0	66.32	47	12	30	0.46	105B110013	49	14	40	0.68	105B210013	49	16	55	0.96	105B310013
14	78.0	71.34	52	12	30	0.56	105B110014	54	14	40	0.82	105B210014	54	16	55	1.15	105B310014
15	83.0	76.36	57	12	30	0.67	105B110015	59	14	40	0.97	105B210015	59	16	55	1.37	105B310015
16	88.0	81.37	60	12	30	0.76	105B110016	64	16	45	1.26	105B210016	64	16	60	1.72	105B310016
17	93.0	86.39	60	12	30	0.88	105B110017	69	16	45	1.46	105B210017	69	16	60	1.99	105B310017
18	98.3	91.42	70	14	30	1.01	105B110018	74	16	45	1.67	105B210018	74	16	60	2.27	105B310018
19	103.3	96.45	70	14	30	1.15	105B110019	79	16	45	1.90	105B210019	79	16	60	2.58	105B310019
20	108.4	101.49	75	14	30	1.21	105B110020	84	16	45	2.14	105B210020	84	16	60	2.91	105B310020
21	113.4	106.52	75	16	30	1.35	105B110021	85	16	45	2.27	105B210021	85	20	60	3.12	105B310021
22	118.0	111.55	80	16	30	1.41	105B110022	90	16	45	2.54	105B210022	90	20	60	3.48	105B310022
23	123.4	116.58	80	16	30	1.47	105B110023	95	16	45	2.82	105B210023	95	20	60	3.86	105B310023
24	128.3	121.62	80	16	30	1.54	105B110024	100	16	45	3.11	105B210024	100	20	60	4.25	105B310024
25	134.0	126.66	80	16	30	1.60	105B110025	105	16	45	3.15	105B210025	105	20	60	4.67	105B310025
26	139.0	131.70	85	20	35	1.96	105B110026	110	20	45	3.74	105B210026	110	20	60	5.10	105B310026
27	144.0	136.75	85	20	35	2.04	105B110027	110	20	45	3.94	105B210027	110	20	60	5.43	105B310027
28	148.7	141.78	90	20	35	2.25	105B110028	115	20	45	4.28	105B210028	115	20	60	5.90	105B310028
29	153.8	146.83	90	20	35	2.33	105B110029	115	20	45	4.50	105B210029	115	20	60	6.25	105B310029
30	158.8	151.87	90	20	35	2.41	105B110030	120	20	45	4.87	105B210030	120	20	60	6.65	105B310030
31	163.9	156.92	95	20	35	2.64	105B110031	120	20	45	5.10	105B210031	120	20	60	7.18	105B310031
32	168.9	161.95	95	20	35	2.73	105B110032	120	20	45	5.34	105B210032	120	20	60	7.56	105B310032
33	174.5	167.00	95	20	35	2.82	105B110033	120	20	45	5.59	105B210033	120	20	60	7.97	105B310033
34	179.0	172.05	95	20	35	2.92	105B110034	120	20	45	5.84	105B210034	120	20	60	8.36	105B310034
35	184.1	177.10	95	20	35	3.01	105B110035	120	20	45	6.11	105B210035	120	20	60	8.74	105B310035
36	189.1	182.15	100	20	35	3.27	105B110036	120	20	45	6.38	105B210036	120	25	60	9.15	105B310036
37	194.2	187.20	100	20	35	3.37	105B110037	120	20	45	6.66	105B210037	120	25	60	9.61	105B310037
38	199.2	192.24	100	20	35	3.47	105B110038	120	20	45	6.95	105B210038	120	25	60	10.08	105B310038
39	204.2	197.29	100	20	35	3.58	105B110039	120	20	45	7.25	105B210039	120	25	60	10.57	105B310039
40	209.3	202.34	100	20	35	3.69	105B110040	120	20	45	7.55	105B210040	120	25	60	11.07	105B310040

!! remarque / opmerking / observation / Bemerkung ----> pg 0 !!

Mat C43 ≤ z:35 Fe37 > Z:35

3/4" x 7/16" (ØR 12.07mm) 12B-1-2-3

Pignons	pour chaînes à rouleaux	DIN 8187 ISO/R606
Kettingwielen	voor rollenkettingen	
Sprockets	for roller chains	
Kettenräder	für Rollenketten	



SIMPLEX								DUPLEX					TRIPLEX				
---------	--	--	--	--	--	--	--	--------	--	--	--	--	---------	--	--	--	--

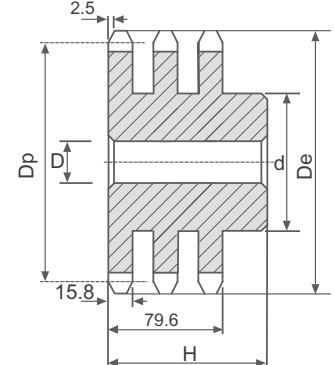
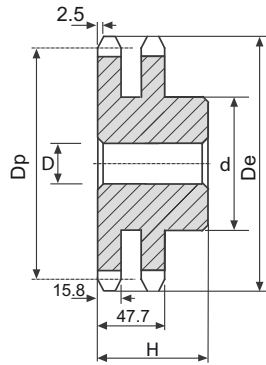
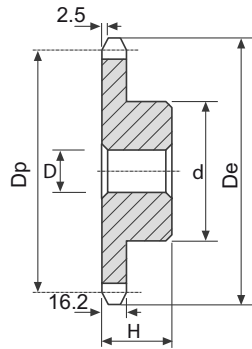
Z	De	Dp	d	D	H	kg	art. n°	d	D	H	kg	art. n°	d	D	H	kg	art. n°
8	57.6	49.78	31	12	30	0.21	105B112008	31	12	45	0.31	105B2120088	31	16	65	0.45	105B312008
9	62.0	55.70	37	12	30	0.29	105B112009	37	12	45	0.44	105B212009	37	16	65	0.64	105B312009
10	69.0	61.64	42	12	30	0.38	105B112010	42	12	45	0.59	105B212010	42	16	65	0.86	105B312010
11	75.0	67.61	46	14	35	0.51	105B112011	47	16	50	0.81	105B212011	47	20	70	1.09	105B312011
12	81.5	73.60	52	14	35	0.65	105B112012	53	16	50	1.02	105B212012	53	20	70	1.39	105B312012
13	87.5	79.59	58	14	35	0.80	105B112013	59	16	50	1.25	105B212013	59	20	70	1.72	105B312013
14	93.6	85.61	64	14	35	0.97	105B112014	65	16	50	1.46	105B212014	65	20	70	2.08	105B312014
15	99.8	91.63	70	14	35	1.16	105B112015	71	16	50	1.74	105B212015	71	20	70	2.47	105B312015
16	105.5	97.65	75	16	35	1.34	105B112016	77	20	50	2.03	105B212016	77	20	70	2.89	105B312016
17	111.5	103.67	80	16	35	1.53	105B112017	83	20	50	2.36	105B212017	83	20	70	3.34	105B312017
18	118.0	109.71	80	16	35	1.62	105B112018	89	20	50	2.70	105B212018	89	20	70	3.83	105B312018
19	124.2	115.75	80	16	35	1.70	105B112019	95	20	50	3.07	105B212019	95	20	70	4.35	105B312019
20	129.7	121.78	80	16	35	1.80	105B112020	100	20	50	3.43	105B212020	100	20	70	4.87	105B312020
21	136.0	127.82	90	20	40	2.35	105B112021	100	20	50	3.69	105B212021	100	20	70	5.20	105B312021
22	141.8	133.86	90	20	40	2.46	105B112022	100	20	50	3.97	105B212022	100	20	70	5.65	105B312022
23	149.0	139.90	90	20	40	2.56	105B112023	110	20	50	4.51	105B212023	110	20	70	6.38	105B312023
24	153.9	145.94	90	20	40	2.68	105B112024	110	20	50	4.81	105B212024	110	20	70	6.87	105B312024
25	160.0	152.00	90	20	40	2.80	105B112025	120	20	50	5.41	105B212025	120	20	70	7.77	105B312025
26	165.9	158.04	95	20	40	3.08	105B112026	120	20	50	5.73	105B212026	120	20	70	8.21	105B312026
27	172.3	164.09	95	20	40	3.21	105B112027	120	20	50	6.08	105B212027	120	20	70	8.77	105B312027
28	178.0	170.13	95	20	40	3.34	105B112028	120	20	50	6.43	105B212028	120	20	70	9.35	105B312028
29	184.1	176.19	95	20	40	3.48	105B112029	120	20	50	6.80	105B212029	120	20	70	9.96	105B312029
30	190.5	182.25	95	20	40	3.63	105B112030	120	20	50	7.19	105B212030	120	20	70	10.59	105B312030
31	196.3	188.31	100	20	40	3.78	105B112031	130	20	50	7.59	105B212031	130	25	70	11.55	105B312031
32	203.3	194.35	100	20	40	3.93	105B112032	130	20	50	8.00	105B212032	130	25	70	12.22	105B312032
33	209.3	200.40	100	20	40	4.09	105B112033	130	20	50	8.42	105B212033	130	25	70	12.92	105B312033
34	214.6	206.46	100	20	40	4.25	105B112034	130	20	50	8.86	105B212034	130	25	70	13.64	105B312034
35	221.0	212.52	100	20	40	4.42	105B112035	130	20	50	9.31	105B212035	130	25	70	14.38	105B312035
36	226.8	218.58	100	20	40	4.71	105B112036	130	25	50	9.71	105B212036	130	25	70	15.14	105B312036
37	232.9	224.64	100	20	40	4.89	105B112037	130	25	50	10.19	105B212037	130	25	70	15.93	105B312037
38	239.0	230.69	100	20	40	5.07	105B112038	130	25	50	10.78	105B212038	130	25	70	16.73	105B312038
39	245.1	236.75	100	20	40	5.26	105B112039	130	25	50	11.19	105B212039	130	25	70	17.57	105B312039
40	251.3	242.81	100	20	40	5.46	105B112040	130	25	50	11.71	105B212040	130	25	70	18.42	105B312040

!! remarque / opmerking / observation / Bemerkung ----> pg 0 !!

Mat C43 ≤ z:30 Fe37 > Z:30

1" x 17.02mm (ØR 15.88mm) 16B-1-2-3

Pignons	pour chaînes à rouleaux	DIN 8187 ISO/R606
Kettingwielen	voor rollenkettingen	
Sprockets	for roller chains	
Kettenräder	für Rollenketten	



SIMPLEX								DUPLEX					TRIPLEX				
---------	--	--	--	--	--	--	--	--------	--	--	--	--	---------	--	--	--	--

Z	De	Dp	d	D	H	kg	art. n°	d	D	H	kg	art. n°	d	D	H	kg	art. n°
8	77.0	66.37	42	16	35	0.47	105B116008	42	16	65	0.81	105B216008	42	20	95	1.19	105B316008
9	85.0	74.27	50	16	35	0.66	105B116009	50	16	65	1.15	105B216009	50	20	95	1.68	105B316009
10	93.0	82.19	55	16	35	0.83	105B116010	56	16	65	1.52	105B216010	56	20	95	2.24	105B316010
11	99.5	90.14	61	16	40	1.14	105B116011	64	20	70	2.08	105B216011	64	25	100	2.86	105B316011
12	109.0	98.14	69	16	40	1.43	105B116012	72	20	70	2.60	105B216012	72	25	100	3.62	105B316012
13	117.0	106.12	78	16	40	1.77	105B116013	80	20	70	3.18	105B216013	80	25	100	4.45	105B316013
14	125.0	114.15	84	16	40	2.08	105B116014	88	20	70	3.82	105B216014	88	25	100	5.37	105B316014
15	133.0	122.17	92	16	40	2.46	105B116015	96	20	70	4.51	105B216015	96	25	100	6.37	105B316015
16	141.0	130.20	100	20	45	3.14	105B116016	104	20	70	5.17	105B216016	104	30	100	7.45	105B316016
17	149.0	138.22	100	20	45	3.33	105B116017	112	20	70	5.98	105B216017	112	30	100	8.60	105B316017
18	157.0	146.28	100	20	45	3.56	105B116018	120	20	70	6.84	105B216018	120	30	100	9.84	105B316018
19	165.2	154.33	100	20	45	3.78	105B116019	128	20	70	7.76	105B216019	128	30	100	11.16	105B316019
20	173.2	162.38	100	20	45	4.03	105B116020	130	20	70	8.52	105B216020	130	30	100	12.36	105B316020
21	181.2	170.43	110	20	50	5.01	105B116021	*130	25	70	9.24	105B216021	*130	30	100	13.56	105B316021
22	189.3	178.48	110	20	50	5.28	105B116022	*130	25	70	10.00	105B216022	*130	30	100	14.82	105B316022
23	197.5	186.53	110	20	50	5.56	105B116023	*130	25	70	10.80	105B216023	*130	30	100	16.15	105B316023
24	205.5	194.59	110	20	50	5.86	105B116024	*130	25	70	11.64	105B216024	*130	30	100	17.53	105B316024
25	213.5	202.66	110	20	50	6.16	105B116025	*130	25	70	12.52	105B216025	*130	30	100	18.99	105B316025
26	221.6	210.72	120	20	50	6.96	105B116026	*130	25	70	13.43	105B216026	*130	30	100	20.34	105B316026
27	229.6	218.79	120	20	50	7.30	105B116027	*130	25	70	14.38	105B216027	*130	30	100	21.92	105B316027
28	237.7	226.85	120	20	50	7.64	105B116028	*130	25	70	15.38	105B216028	*130	30	100	23.57	105B316028
29	245.8	234.92	120	20	50	8.00	105B116029	*130	25	70	16.41	105B216029	*130	30	100	25.27	105B316029
30	254.0	243.00	120	20	50	8.38	105B116030	*130	25	70	17.48	105B216030	*130	30	100	27.05	105B316030
31	262.0	251.08	*120	25	50	8.69	105B116031	*140	25	70	18.96	105B216031	*140	30	100	29.23	105B316031
32	270.0	259.13	*120	25	50	9.09	105B116032	*140	25	70	20.10	105B216032	*140	30	100	31.13	105B316032
33	278.5	267.21	*120	25	50	9.50	105B116033	*140	25	70	21.29	105B216033	*140	30	100	33.10	105B316033
34	287.0	275.28	*120	25	50	9.93	105B116034	*140	25	70	22.21	105B216034	*140	30	100	35.13	105B316034
35	296.2	283.36	*120	25	50	10.36	105B116035	*140	25	70	23.77	105B216035	*140	30	100	37.23	105B316035
36	304.6	291.44	*120	25	50	10.81	105B116036	*140	25	70	25.07	105B216036	*140	30	100	39.39	105B316036
37	312.6	299.51	*120	25	50	11.28	105B116037	*140	25	70	26.41	105B216037	*140	30	100	42.00	105B316037
38	320.7	307.59	*120	25	50	11.76	105B116038	*140	25	70	27.79	105B216038	*140	30	100	43.90	105B316038
39	328.8	315.67	*120	25	50	12.25	105B116039	*140	25	70	29.20	105B216039	*140	30	100	46.00	105B316039
40	336.9	323.73	*120	25	50	12.75	105B116040	*140	25	70	30.65	105B216040	*140	30	100	48.67	105B316040

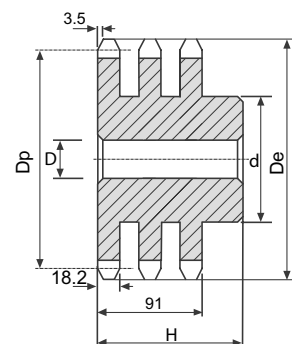
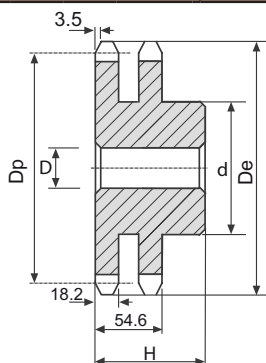
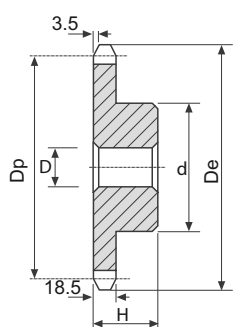
!! remarque / opmerking / observation / Bemerkung ----> pg 0 !!

* = avec moyeu soudé / met gelaste naaf / with welded hub / mit geschweisste Nabe

Mat C43 ≤ z:21 Fe37 > Z:21

1"1/4 x 3/4" (ØR 19.05mm) 20B-1-2-3

Pignons	pour chaînes à rouleaux	DIN 8187 ISO/R606
Kettingwielen	voor rollenkettingen	
Sprockets	for roller chains	
Kettenräder	für Rollenketten	



Mat. C43	SIMPLEX	DUPLEX	TRIPLEX																
----------	---------	--------	---------	--	--	--	--	--	--	--	--	--	--	--	--	--	--	--	--

Z	De	Dp	d	D	H	kg	art. n°	d	D	H	kg	art. n°	d	D	H	kg	art. n°
8	98.1	82.96	53	20	40	0.85	105B120008	53	20	75	1.58	105B220008	53	20	110	2.15	105B320008
9	108.0	92.84	63	20	40	1.19	105B120009	63	20	75	2.19	105B220009	63	20	110	3.05	105B320009
10	117.9	102.74	70	20	40	1.51	105B120010	70	20	75	2.85	105B220010	70	20	110	4.04	105B320010
11	127.8	112.68	77	20	45	2.04	105B120011	80	20	80	3.72	105B220011	80	20	115	5.19	105B320011
12	137.8	122.68	88	20	45	2.58	105B120012	90	20	80	4.66	105B220012	90	20	115	6.55	105B320012
13	147.8	132.65	98	20	45	3.15	105B120013	100	20	80	5.70	105B220013	100	20	115	8.06	105B320013
14	157.8	142.68	108	20	45	3.78	105B120014	110	20	80	6.84	105B220014	110	20	115	9.71	105B320014
15	167.9	152.72	118	20	45	4.47	105B120015	120	20	80	8.08	105B220015	120	20	115	11.50	105B320015
16	177.9	162.75	120	25	50	5.25	105B120016	120	25	80	8.90	105B220016	120	25	115	13.06	105B320016
17	187.9	172.78	120	25	50	5.61	105B120017	120	25	80	9.92	105B220017	120	25	115	14.65	105B320017
18	198.0	182.85	120	25	50	6.00	105B120018	*120	25	80	11.00	105B220018	*120	25	115	16.54	105B320018
19	208.1	192.91	120	25	50	6.40	105B120019	*120	25	80	12.16	105B220019	*120	25	115	18.45	105B320019
20	218.1	202.98	120	25	50	6.84	105B120020	*120	25	80	13.38	105B220020	*120	25	115	20.48	105B320020
21	228.2	213.04	140	25	55	8.79	105B120021	*140	25	80	15.49	105B220021	*140	25	115	23.38	105B320021
22	238.3	223.11	140	25	55	9.27	105B120022	*140	25	80	16.86	105B220022	*140	25	115	25.64	105B320022
23	248.3	233.17	140	25	55	9.77	105B120023	*140	25	80	18.29	105B220023	*140	25	115	28.00	105B320023
24	258.4	243.23	140	25	55	10.30	105B120024	*140	25	80	19.79	105B220024	*140	25	115	30.49	105B320024
25	268.5	253.33	140	25	55	10.85	105B120025	*140	25	80	21.36	105B220025	*140	25	115	33.09	105B320025
26	278.6	263.40	*150	25	55	12.07	105B120026	*150	25	80	23.45	105B220026	*150	25	115	36.23	105B320026
27	288.6	273.48	*150	25	55	12.67	105B120027	*150	25	80	25.15	105B220027	*150	25	115	39.06	105B320027
28	298.7	283.56	*150	25	55	13.29	105B120028	*150	25	80	26.93	105B220028	*150	25	115	42.00	105B320028
29	308.8	293.65	*150	25	55	13.93	105B120029	*150	25	80	28.77	105B220029	*150	25	115	45.50	105B320029
30	318.9	303.75	*150	25	55	14.60	105B120030	*150	25	80	30.69	105B220030	*150	25	115	48.23	105B320030
31	329.0	313.85	*150	25	55	15.28	105B120031	*150	25	80	32.67	105B220031	*150	30	115	52.00	105B320031
32	339.1	323.91	*150	25	55	16.00	105B120032	*150	25	80	34.72	105B220032	*150	30	115	54.91	105B320032
33	349.2	334.01	*150	25	55	16.73	105B120033	*150	25	80	37.00	105B220033	*150	30	115	59.00	105B320033
34	359.3	334.10	*150	25	55	17.49	105B120034	*150	25	80	39.03	105B220034	*150	30	115	62.06	105B320034
35	369.4	354.20	*150	25	55	18.27	105B120035	*150	25	80	41.28	105B220035	*150	30	115	65.80	105B320035
36	379.5	364.30	*150	25	55	19.08	105B120036	*150	30	80	43.61	105B220036	*150	30	115	69.66	105B320036
37	389.5	374.39	*150	25	55	19.91	105B120037	*150	30	80	46.00	105B220037	*150	30	115	75.00	105B320037
38	399.6	384.49	*150	25	55	20.76	105B120038	*150	30	80	48.46	105B220038	*150	30	115	77.72	105B320038
39	409.7	394.59	*150	25	55	21.73	105B120039	*150	30	80	51.00	105B220039	*150	30	115	83.00	105B320039
40	419.8	404.66	*150	25	55	22.53	105B120040	*150	30	80	53.60	105B220040	*150	30	115	86.24	105B320040

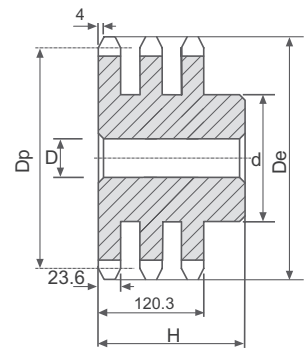
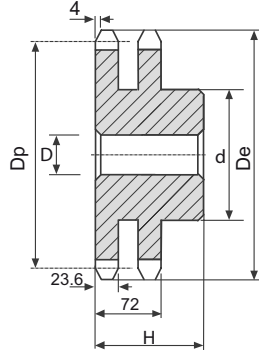
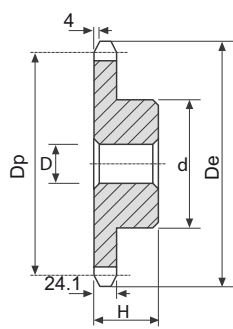
!! remarque / opmerking / observation / Bemerkung ----> pg 0 !!

* = avec moyeu soudé / met gelaste naaf / with welded hub / mit geschweisste Nabe

Mat C43 ≤ z:21 Fe37 > Z:21

1"1/2 x 1" (ØR 25.4mm) 24B-1-2-3

Pignons	pour chaînes à rouleaux	DIN 8187 ISO/R606
Kettingwielen	voor rollenkettingen	
Sprockets	for roller chains	
Kettenräder	für Rollenketten	



	SIMPLEX	DUPLEX	TRIPLEX
--	----------------	---------------	----------------

Z	De	Dp	d	D	H	kg	art. n°	d	D	H	kg	art. n°	d	D	H	kg	art. n°
8	115.0	99.55	58	20	45	1.38	105B124008	58	25	95	2.70	105B224008	58	25	140	4.00	105B324008
9	126.4	111.40	70	20	45	1.90	105B124009	70	25	95	3.79	105B224009	70	25	140	5.62	105B324009
10	138.0	123.29	80	20	45	2.47	105B124010	80	25	95	5.01	105B224010	80	25	140	7.45	105B324010
11	150.0	135.21	90	25	50	3.27	105B124011	90	25	100	6.62	105B224011	90	25	150	9.73	105B324011
12	162.0	147.22	102	25	50	4.09	105B124012	102	25	100	8.28	105B224012	102	25	150	12.24	105B324012
13	174.2	159.18	114	25	50	5.00	105B124013	114	25	100	10.13	105B224013	114	25	150	15.02	105B324013
14	186.2	171.22	128	25	50	6.09	105B124014	128	25	100	12.24	105B224014	128	25	150	18.16	105B324014
15	198.2	183.26	140	25	50	6.84	105B124015	140	25	100	14.08	105B224015	140	25	150	21.09	105B324015
16	210.3	195.30	*140	25	55	8.20	105B124016	*140	25	100	15.88	105B224016	*140	25	150	24.25	105B324016
17	222.3	207.34	*140	25	55	8.87	105B124017	*150	25	100	17.80	105B224017	*150	25	150	27.42	105B324017
18	234.3	219.42	*140	25	55	9.59	105B124018	*160	25	100	21.08	105B224018	*160	25	150	32.12	105B324018
19	246.5	231.49	*140	25	55	10.36	105B124019	*160	25	100	23.26	105B224019	*160	25	150	35.74	105B324019
20	258.6	243.57	*140	25	55	11.16	105B124020	*160	25	100	25.57	105B224020	*160	25	150	39.57	105B324020
21	270.6	255.65	*150	25	60	13.35	105B124021	*160	25	100	28.01	105B224021	*160	30	150	42.98	105B324021
22	282.7	267.73	*150	25	60	14.24	105B124022	*160	25	100	30.59	105B224022	*160	30	150	47.25	105B324022
23	294.8	279.80	*150	25	60	15.18	105B124023	*160	25	100	33.29	105B224023	*160	30	150	51.74	105B324023
24	306.8	291.88	*150	25	60	16.16	105B124024	*160	25	100	36.13	105B224024	*160	30	150	56.44	105B324024
25	319.0	304.00	*150	25	60	17.19	105B124025	*160	25	100	39.09	105B224025	*160	30	150	61.37	105B324025
26	331.0	316.08	*160	30	60	18.25	105B124026	*160	30	100	42.19	105B224026	*160	30	150	66.52	105B324026
27	343.2	328.19	*160	30	60	19.37	105B124027	*160	30	100	45.41	105B224027	*160	30	150	71.88	105B324027
28	355.2	340.27	*160	30	60	20.52	105B124028	*160	30	100	48.77	105B224028	*160	30	150	77.46	105B324028
29	367.3	352.38	*160	30	60	21.72	105B124029	*160	30	100	52.26	105B224029	*160	30	150	85.00	105B324029
30	379.5	364.50	*160	30	60	22.97	105B124030	*160	30	100	55.88	105B224030	*160	30	150	89.28	105B324030
31	391.6	376.62	*160	30	60	24.25	105B124031	*170	30	100	59.19	105B224031	*170	40	150	95.00	105B324031
32	403.7	388.69	*160	30	60	25.59	105B124032	*170	30	100	63.07	105B224032	*170	40	150	101.97	105B324032
33	415.8	400.81	*160	30	60	26.96	105B124033	*170	30	100	67.08	105B224033	*170	40	150	110.00	105B324033
34	427.8	412.93	*160	30	60	28.38	105B124034	*170	30	100	71.21	105B224034	*170	40	150	118.00	105B324034
35	440.0	425.04	*160	30	60	29.84	105B124035	*170	30	100	75.49	105B224035	*170	40	150	122.64	105B324035
36	452.0	437.16	*160	30	60	31.34	105B124036	*170	30	100	79.89	105B224036	*170	40	150	131.00	105B324036
37	464.2	449.27	*160	30	60	32.90	105B124037	*170	30	100	84.43	105B224037	*170	40	150	139.00	105B324037
38	476.2	461.39	*160	30	60	34.49	105B124038	*170	30	100	89.09	105B224038	*170	40	150	145.28	105B324038
39	488.5	473.50	*160	30	60	36.00	105B124039	*170	30	100	95.00	105B224039	*170	40	150	155.00	105B324039
40	500.6	485.62	*160	30	60	37.81	105B124040	*170	30	100	98.80	105B224040	*170	40	150	161.46	105B324040

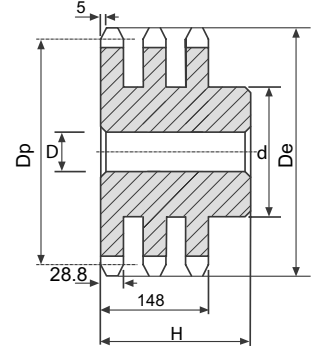
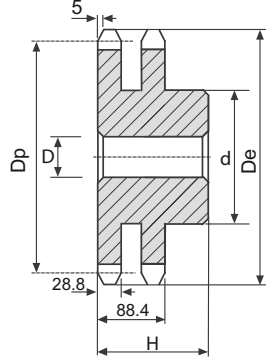
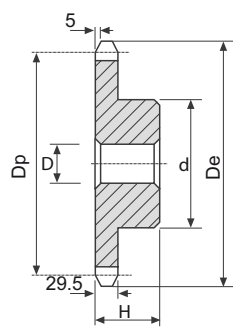
!! remarque / opmerking / observation / Bemerkung ----> pg 0 !!

* = avec moyeu soudé / met gelaste naaf / with welded hub / mit geschweisste Nabe

Mat C43 ≤ z:21 Fe37 > Z:21

1"3/4 x 1"1/4 (ØR 27.94mm) 28B-1-2-3

Pignons	pour chaînes à rouleaux	DIN 8187 ISO/R606
Kettingwielen	voor rollenkettingen	
Sprockets	for roller chains	
Kettenräder	für Rollenketten	



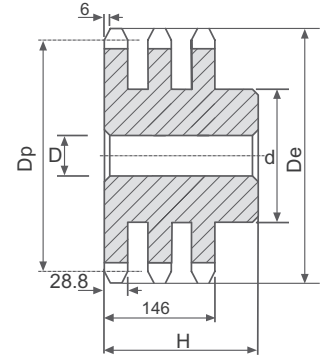
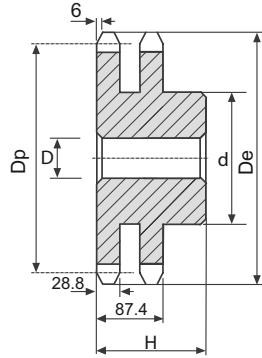
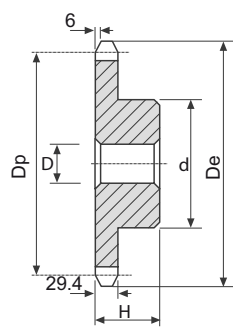
Mat. C43	SIMPLEX	DUPLEX	TRIPLEX
----------	---------	--------	---------

Z	De	Dp	d	D	H	kg	art. n°	d	D	H	kg	art. n°	d	D	H	kg	art. n°
8	132.0	116.15	74	25	70	2.86	105B128008	74	25	120	4.75	105B228008	74	30	180	7.04	105B328008
9	148.4	129.96	88	25	70	4.00	105B128009	88	25	120	6.66	105B228009	88	30	180	9.89	105B328009
10	162.3	143.85	100	25	70	5.18	105B128010	100	25	120	8.79	105B228010	100	30	180	13.10	105B328010
11	176.3	157.77	112	25	70	6.51	105B128011	112	25	120	11.19	105B228011	112	30	180	16.73	105B328011
12	189.3	171.74	125	25	70	8.04	105B128012	125	25	120	13.91	105B228012	125	30	180	20.84	105B328012
13	204.2	185.75	*130	25	70	8.88	105B128013	*130	25	120	16.25	105B228013	*130	30	180	24.70	105B328013
14	218.2	199.76	*130	25	70	9.79	105B128014	*130	25	120	18.81	105B228014	*130	30	180	28.93	105B328014
15	232.3	213.79	*145	25	70	10.77	105B128015	*160	30	120	22.64	105B228015	*145	30	180	34.58	105B328015
16	246.3	227.84	*160	30	75	14.96	105B128016	*160	30	120	26.52	105B228016	*160	30	180	40.44	105B328016
17	260.0	241.90	*160	30	75	16.09	105B128017	*160	30	120	29.74	105B228017	*160	30	180	45.77	105B328017
18	274.0	255.98	*160	30	75	17.28	105B128018	*160	30	120	33.17	105B228018	*160	30	180	51.76	105B328018
19	289.0	270.06	*160	30	75	18.56	105B128019	*180	30	120	38.14	105B228019	*180	30	180	58.07	105B328019
20	303.0	284.15	*160	30	75	19.90	105B128020	*180	30	120	42.02	105B228020	*180	30	180	64.49	105B328020
21	317.0	298.24	*170	30	75	21.31	105B128021	*180	30	120	49.10	105B228021	*180	30	180	71.28	105B328021
22	331.0	312.34	*170	30	75	22.80	105B128022	*180	30	120	50.40	105B228022	*180	30	180	80.00	105B328022
23	345.0	326.44	*170	30	75	24.36	105B128023	*180	30	120	54.92	105B228023	*180	30	180	85.94	105B328023
24	359.0	340.55	*170	30	75	26.00	105B128024	*180	30	120	60.00	105B228024	*180	30	180	105.00	105B328024
25	373.0	354.66	*170	30	75	27.70	105B128025	*180	30	120	64.62	105B228025	*180	40	180	112.07	105B328025
26	387.0	368.77	*170	30	75	29.48	105B128026	*180	30	120	69.28	105B228026	*180	40	180	120.00	105B328026
27	401.0	382.88	*170	30	75	31.36	105B128027	*180	30	120	75.00	105B228027	*180	40	180	128.00	105B328027
28	416.0	397.00	*170	30	75	33.26	105B128028	*180	30	120	80.28	105B228028	*180	40	180	136.00	105B328028
29	430.0	411.12	*170	30	75	35.50	105B128029	*180	30	120	88.00	105B228029	*180	40	180	142.00	105B328029
30	444.0	425.24	*170	30	75	37.33	105B128030	*180	30	120	92.17	105B228030	*180	40	180	148.79	105B328030
31	458.0	439.37	*180	30	75	41.00	105B128031	*200	30	120	98.00	105B228031	*200	40	180	158.00	105B328031
32	472.0	453.49	*180	30	75	43.59	105B128032	*200	30	120	105.00	105B228032	*200	40	180	169.00	105B328032
33	486.0	467.62	*180	30	75	46.00	105B128033	*200	30	120	115.00	105B228033	*200	40	180	182.00	105B328033
34	500.0	481.75	*180	30	75	48.24	105B128034	*200	30	120	120.00	105B228034	*200	40	180	193.00	105B328034
35	514.0	495.88	*180	30	75	50.57	105B128035	*200	30	120	127.17	105B228035	*200	40	180	205.00	105B328035
36	529.0	510.01	*180	30	75	53.18	105B128036	*200	30	120	135.00	105B228036	*200	40	180	218.00	105B328036
37	543.0	524.13	*180	30	75	56.00	105B128037	*200	30	120	143.00	105B228037	*200	40	180	232.00	105B328037
38	557.0	538.27	*180	30	75	58.40	105B128038	*200	30	120	149.90	105B228038	*200	40	180	244.01	105B328038
39	571.0	552.40	*180	30	75	61.00	105B128039	*200	30	120	160.00	105B228039	*200	40	180	260.00	105B328039
40	585.0	566.54	*180	30	75	63.92	105B128040	*200	30	120	167.15	105B228040	*200	40	180	271.10	105B328040

!! remarque / opmerking / observation / Bemerkung ----> pg 0 !!
 * = avec moyeu soudé / met gelaste naaf / with welded hub / mit geschweisste Nabe
 Mat C43 ≤ z:21 Fe37 > Z:21

2" x 1"1/4 (ØR 29.21mm) 32B-1-2-3

Pignons	pour chaînes à rouleaux	DIN 8187 ISO/R606
Kettingwielen	voor rollenkettingen	
Sprockets	for roller chains	
Kettenräder	für Rollenketten	



Mat. C43		SIMPLEX						DUPLEX					TRIPLEX				
Z	De	Dp	d	D	H	kg	art. n°	d	D	H	kg	art. n°	d	D	H	kg	art. n°
8	153.2	132.74	82	25	80	4.20	105B132008	82	30	120	6.65	105B232008	82	30	180	9.90	105B332008
9	169.0	148.54	88	25	80	5.78	105B132009	88	30	120	9.14	105B232009	88	30	180	13.65	105B332009
10	185.0	164.39	104	25	80	7.60	105B132010	104	30	120	12.01	105B232010	104	30	180	17.97	105B332010
11	200.8	180.31	120	30	80	9.26	105B132011	120	30	120	14.75	105B232011	120	30	180	22.22	105B332011
12	216.8	196.29	*133	30	80	10.91	105B132012	*133	30	120	17.95	105B232012	*133	30	180	27.23	105B332012
13	232.8	212.29	*145	30	80	13.05	105B132013	*145	30	120	21.68	105B232013	*145	30	180	32.98	105B332013
14	248.8	228.29	*160	30	80	14.25	105B132014	*160	30	120	25.03	105B232014	*160	30	180	38.50	105B332014
15	264.8	244.30	*160	30	80	15.53	105B132015	*160	30	120	29.30	105B232015	*160	30	180	45.04	105B332015
16	280.9	260.40	*160	30	90	19.87	105B132016	*160	30	120	33.21	105B232016	*160	30	180	51.50	105B332016
17	296.9	276.46	*170	30	90	21.35	105B132017	*180	30	120	38.76	105B232017	*180	30	180	61.45	105B332017
18	313.0	292.55	*170	30	90	22.92	105B132018	*180	30	120	43.24	105B232018	*180	30	180	68.85	105B332018
19	329.1	308.66	*170	30	90	24.53	105B132019	*200	30	120	49.52	105B232019	*200	30	180	76.73	105B332019
20	345.2	324.71	*180	30	90	28.50	105B132020	*200	30	120	54.56	105B232020	*200	30	180	85.07	105B332020
21	361.3	340.82	*180	30	90	30.36	105B132021	*200	30	120	59.87	105B232021	*200	40	180	93.89	105B332021
22	377.5	356.98	*180	30	90	32.31	105B132022	*200	30	120	65.47	105B232022	*200	40	180	105.00	105B332022
23	393.6	373.08	*180	30	90	34.36	105B132023	*200	30	120	71.35	105B232023	*200	40	180	112.93	105B332023
24	409.7	389.18	*180	30	90	36.50	105B132024	*200	30	120	77.52	105B232024	*200	40	180	123.00	105B332024
25	425.8	405.33	*180	30	90	38.74	105B132025	*200	30	120	83.66	105B232025	*200	40	180	133.86	105B332025
26	441.9	421.44	*180	30	90	41.07	105B132026	*200	30	120	90.69	105B232026	*200	40	180	144.00	105B332026
27	458.1	437.59	*180	30	90	44.00	105B132027	*200	30	120	98.00	105B232027	*200	40	180	157.00	105B332027
28	474.2	453.69	*180	30	90	46.01	105B132028	*200	30	120	104.99	105B232028	*200	40	180	170.00	105B332028
29	492.0	469.85	*180	30	90	49.00	105B132029										
30	506.5	486.00	*180	30	90	51.34	105B132030	*200	30	120	120.41	105B232030	*200	40	180	194.42	105B332030
32	538.8	518.27	*180	30	90	59.89	105B132032										
35	589.5	566.71	*180	30	90	69.16	105B132035										
38	635.5	615.16	*180	30	90	79.28	105B132038										
40	670.3	647.47	*180	30	90	86.50	105B132040										

!! remarque / opmerking / observation / Bemerkung ----> pg 0 !!

* = avec moyeu soudé / met gelaste naaf / with welded hub / mit geschweisste Nabe

Mat C43 ≤ z:21 Fe37 > Z:21