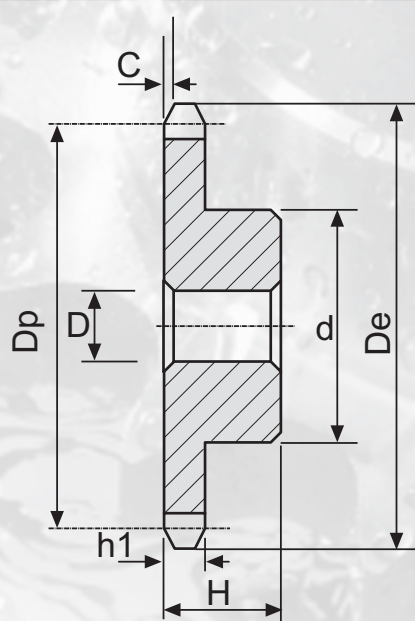


**Pignons en INOX 304L pour chaînes de transmission (DIN 8187)**

**Kettingwielen in RVS 304L voor rollenkettingen (DIN 8187)**

**Sprockets in stainless steel 304L for roller chains (DIN 8187)**

**Kettenräder aus Nirostahl 304L für Rollenketten (DIN 8187)**



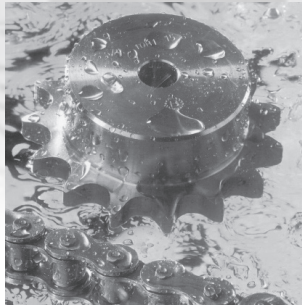
	h1	C
3/8"x7/32'	5.3	1
1/2"x5/16'	7.2	1.3
5/8"x3/8'	9.1	1.6
3/4"x7/16'	11.1	2
1"x17.02'	16.2	2.5



<b>3/8" x 7/32" 06B-1</b>							<b>DIN 8187 ISO/R606</b>
Pignons inox		pour chaînes à rouleaux					
Kettingwielen in RVS		voor rollenkettingen					
Sprockets in stainless steel		for roller chains					
Kettenräder nirostahl		für Rollenketten					
Z	De	Dp	d	D	H	kg	art. n°
13	43.0	39.8	28	10	25	0.13	105IB106013
14	46.3	42.80	31	10	25	0.16	105IB106014
15	49.3	45.81	34	10	25	0.18	105IB106015
16	52.3	48.82	37	10	28	0.24	105IB106016
17	55.3	51.83	40	10	28	0.28	105IB106017
18	58.3	54.85	43	10	28	0.33	105IB106018
19	31.3	57.87	45	10	28	0.36	105IB106019
20	64.3	60.89	46	10	28	0.39	105IB106020
21	68.0	63.91	48	12	28	0.42	105IB106021
22	71.0	66.93	50	12	28	0.47	105IB106022
23	73.5	69.95	52	12	28	0.50	105IB106023
24	77.0	72.97	54	12	28	0.56	105IB106024
25	80.0	76.00	57	12	28	0.60	105IB106025
30	94.7	91.12	60	12	28	0.72	105IB106030

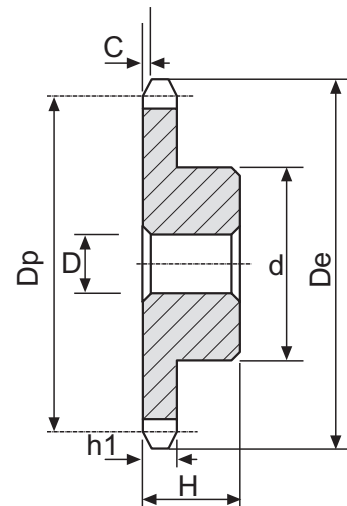
<b>1/2" x 5/16" 08B-1</b>							<b>DIN 8187 ISO/R606</b>
Pignons inox		pour chaînes à rouleaux					
Kettingwielen in RVS		voor rollenkettingen					
Sprockets in stainless steel		for roller chains					
Kettenräder nirostahl		für Rollenketten					
Z	De	Dp	d	D	H	kg	art. n°
12	53.0	49.07	33	10	28	0.21	105IB108012
13	57.4	53.06	37	10	28	0.26	105IB108013
14	61.8	57.07	41	10	28	0.32	105IB108014
15	65.5	61.09	45	10	28	0.38	105IB108015
16	69.5	65.10	50	12	28	0.46	105IB108016
17	73.6	69.11	52	12	28	0.51	105IB108017
18	77.8	73.14	56	12	28	0.59	105IB108018
19	81.7	77.16	60	12	28	0.67	105IB108019
20	85.8	81.19	64	12	28	0.76	105IB108020
21	89.7	85.22	68	14	28	0.85	105IB108021
22	93.8	89.24	70	14	28	0.90	105IB108022
23	98.2	93.17	70	14	28	0.94	105IB108023
24	101.8	97.29	70	14	28	0.98	105IB108024
25	105.8	101.33	70	14	28	1.01	105IB108025
26	110.0	105.36	70	16	30	1.25	105IB108026
30	126.1	121.50	80	16	30	1.46	105IB108030

5/8" x 3/8" 10B-1							DIN 8187 ISO/R606
Pignons inox		pour chaînes à rouleaux					
Kettingwielen in RVS		voor rollenkettingen					
Sprockets in stainless steel		for roller chains					
Kettenräder nirostahl		für Rollenketten					
Z	De	Dp	d	D	H	kg	art. n°
12	68.0	61.34	42	12	30	0.40	105IB110012
13	73.0	66.32	47	12	30	0.46	105IB110013
14	78.0	71.34	52	12	30	0.56	105IB110014
15	83.0	76.36	57	12	30	0.67	105IB110015
16	88.0	81.37	60	14	30	0.76	105IB110016
17	93.0	86.39	60	14	30	0.88	105IB110017
18	98.3	91.42	70	14	30	1.01	105IB110018
19	103.3	96.45	70	14	30	1.15	105IB110019
20	108.4	101.49	75	14	30	1.21	105IB110020
21	113.4	106.52	75	16	30	1.35	105IB110021
22	118.0	111.55	80	16	30	1.43	105IB110022
23	123.4	116.58	80	16	30	1.47	105IB110023
24	128.3	121.62	80	16	30	1.55	105IB110024
25	134.0	126.66	80	16	30	1.60	105IB110025
30	158.8	151.87	90	20	35	2.41	105IB110030



3/4" x 7/16" 12B-1							DIN 8187 ISO/R606
Pignons inox		pour chaînes à rouleaux					
Kettingwielen in RVS		voor rollenkettingen					
Sprockets in stainless steel		for roller chains					
Kettenräder nirostahl		für Rollenketten					
Z	De	Dp	d	D	H	kg	art. n°
12	81.5	73.60	52	14	35	0.46	105IB112012
13	87.5	79.59	58	14	35	0.80	105IB112013
14	93.6	85.61	64	14	35	0.97	105IB112014
15	99.8	91.63	70	14	35	1.16	105IB112015
16	105.5	97.65	75	16	35	1.34	105IB112016
17	111.5	103.67	80	16	35	1.53	105IB112017
18	118.0	109.71	80	16	35	1.62	105IB112018
19	124.2	115.75	80	16	35	1.70	105IB112019
20	129.7	121.78	80	16	35	1.80	105IB112020
21	136.0	127.82	90	20	40	2.35	105IB112021
22	141.8	133.86	90	20	40	2.47	105IB112022
23	149.0	139.90	90	20	40	2.56	105IB112023
24	153.9	145.94	90	20	40	2.70	105IB112024
25	160.0	152.00	90	20	40	2.80	105IB112025
30	190.5	182.25	95	20	40	3.00	105IB112030

1" x 17.02mm 16B-1							DIN 8187 ISO/R606
Pignons inox		pour chaînes à rouleaux					
Kettingwielen in RVS		voor rollenkettingen					
Sprockets in stainless steel		for roller chains					
Kettenräder nirostahl		für Rollenketten					
Z	De	Dp	d	D	H	kg	art. n°
12	109.0	98.14	69	16	40	0.49	105IB116012
13	117.0	116.12	78	16	40	1.77	105IB116013
14	125.0	114.15	84	16	40	2.08	105IB116014
15	133.0	122.17	92	16	40	2.46	105IB116015
16	141.0	130.20	100	20	45	3.14	105IB116016
17	149.0	138.22	100	20	45	3.34	105IB116017
18	157.0	146.28	100	20	45	3.56	105IB116018
19	165.2	154.33	100	20	45	3.78	105IB116019
20	173.2	162.38	100	20	45	4.03	105IB116020
21	181.2	170.43	110	20	50	5.14	105IB116021
22	189.3	178.48	110	20	50	6.02	105IB116022
23	197.5	186.53	110	20	50	6.98	105IB116023
24	205.5	194.59	110	20	50	7.63	105IB116024
25	213.5	202.66	110	20	50	8.04	105IB116025
30	254.0	243.00	120	20	50	8.89	105IB116030



	h1	C
3/8'x7/32'	5.3	1
1/2'x5/16'	7.2	1.3
5/8'x3/8'	9.1	1.6
3/4'x7/16'	11.1	2
1'x17.02'	16.2	2.5